

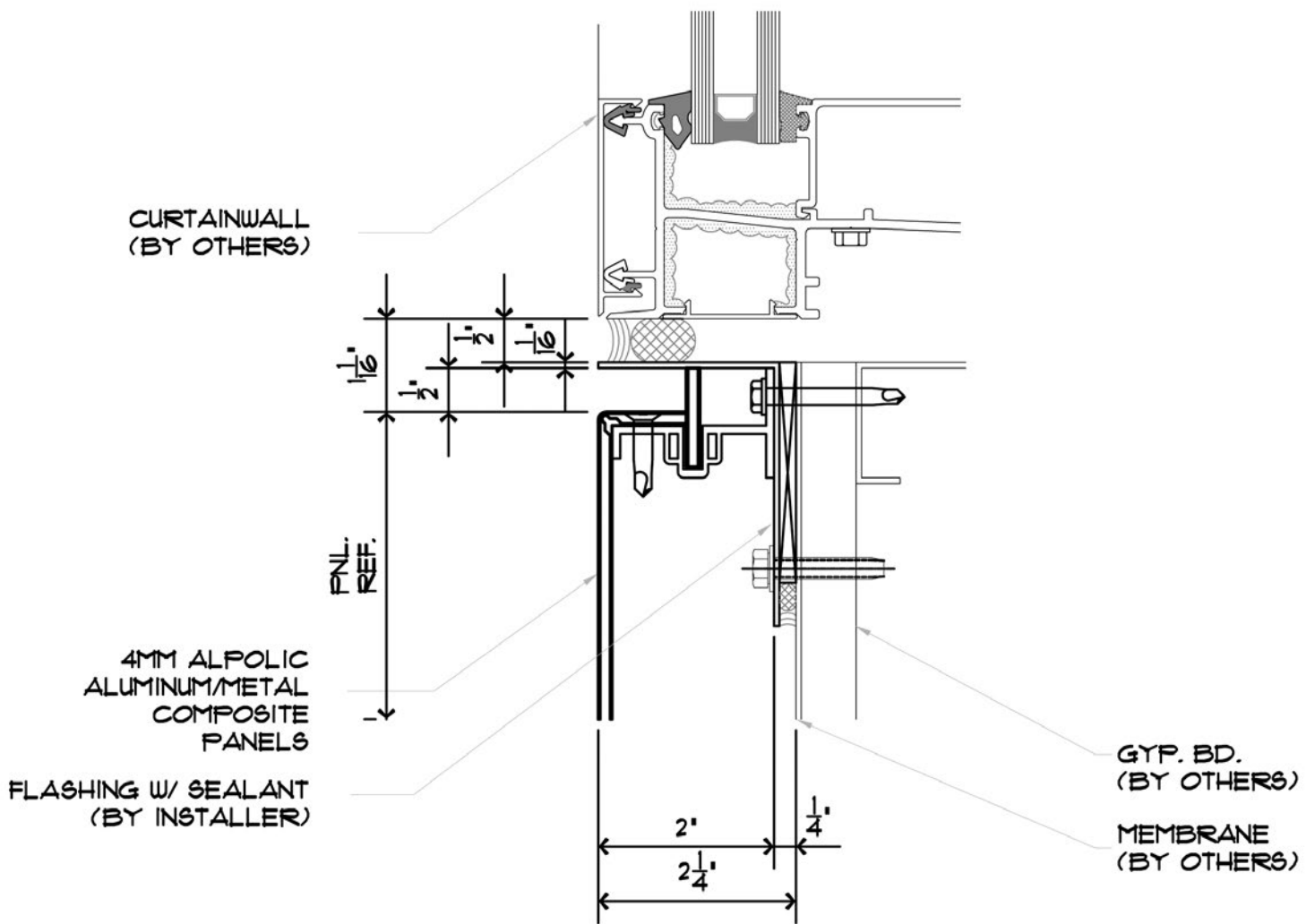
# ALPOLIC<sup>®</sup>

METAL COMPOSITE MATERIALS

 MITSUBISHI CHEMICAL COMPOSITES AMERICA, INC.

**RAIN SCREEN SYSTEM**  
**10.01.05**  
[www.alpolic-americas.com](http://www.alpolic-americas.com)

The design, fabrication and installation of the ALPOLIC<sup>®</sup> panels are the sole responsibility of the purchaser. The information contained on this website is for conceptual use only. Mitsubishi Chemical Composites America, Inc. shall have no responsibility or liability for the products usage or infringement of any patent or other proprietary right.



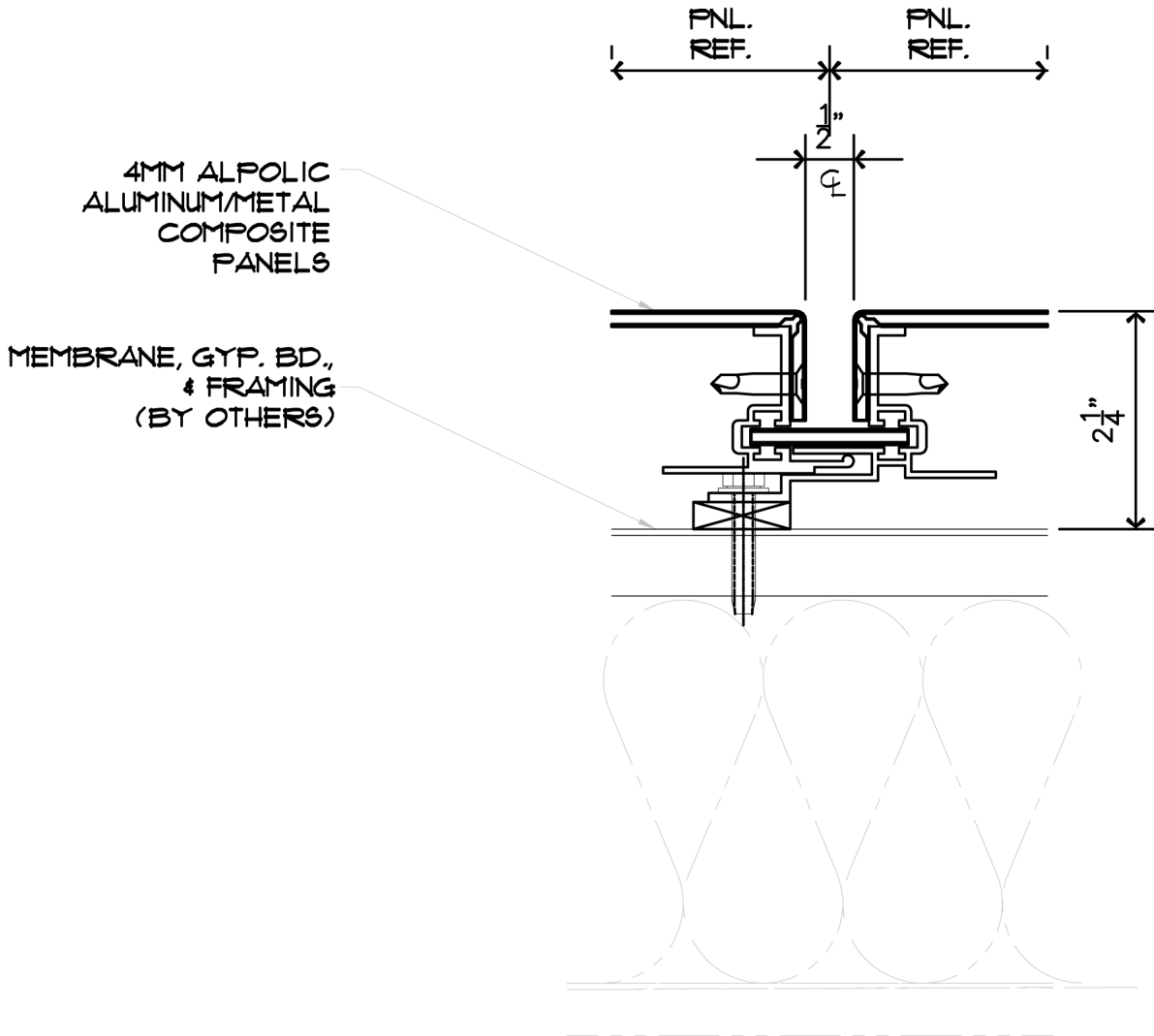
1 SILL DETAIL  
 RS SCALE: 6" = 1'-0"

**ALPOLIC**<sup>®</sup>  
 METAL COMPOSITE MATERIALS

 MITSUBISHI CHEMICAL COMPOSITES AMERICA, INC.

**RAIN SCREEN SYSTEM**  
 10.01.05  
[www.alpolic-americas.com](http://www.alpolic-americas.com)

The design, fabrication and installation of the ALPOLIC<sup>®</sup> panels are the sole responsibility of the purchaser. The information contained on this website is for conceptual use only. Mitsubishi Chemical Composites America, Inc. shall have no responsibility or liability for the products usage or infringement of any patent or other proprietary right.



2  
RS

VERTICAL JOINT

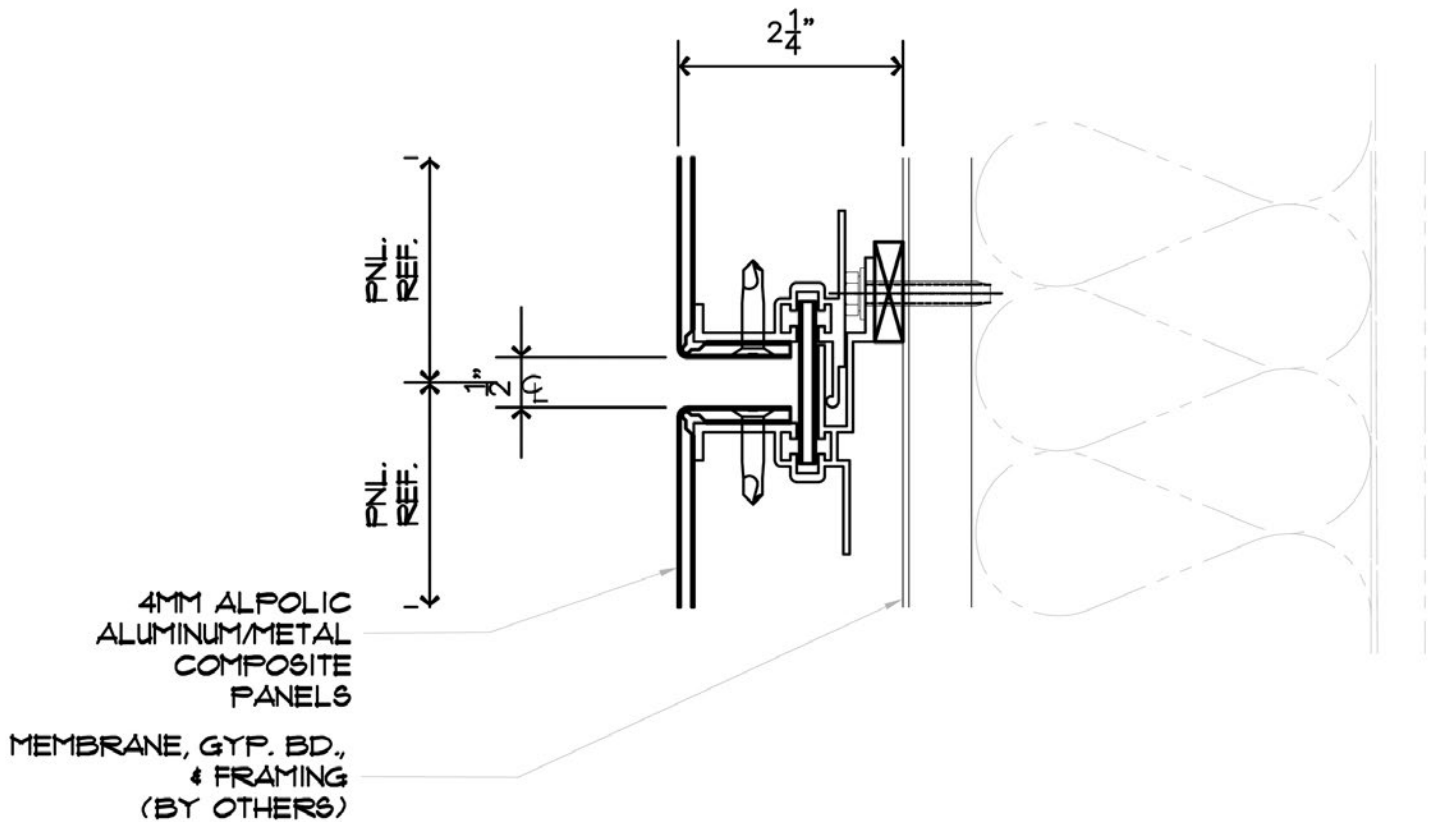
SCALE: 6" = 1'-0"

**ALPOLIC**<sup>®</sup>  
METAL COMPOSITE MATERIALS

 MITSUBISHI CHEMICAL COMPOSITES AMERICA, INC.

**RAIN SCREEN SYSTEM**  
10.01.05  
[www.alpolic-americas.com](http://www.alpolic-americas.com)

The design, fabrication and installation of the ALPOLIC<sup>®</sup> panels are the sole responsibility of the purchaser. The information contained on this website is for conceptual use only. Mitsubishi Chemical Composites America, Inc. shall have no responsibility or liability for the products usage or infringement of any patent or other proprietary right.



3 HORIZONTAL JOINT RS

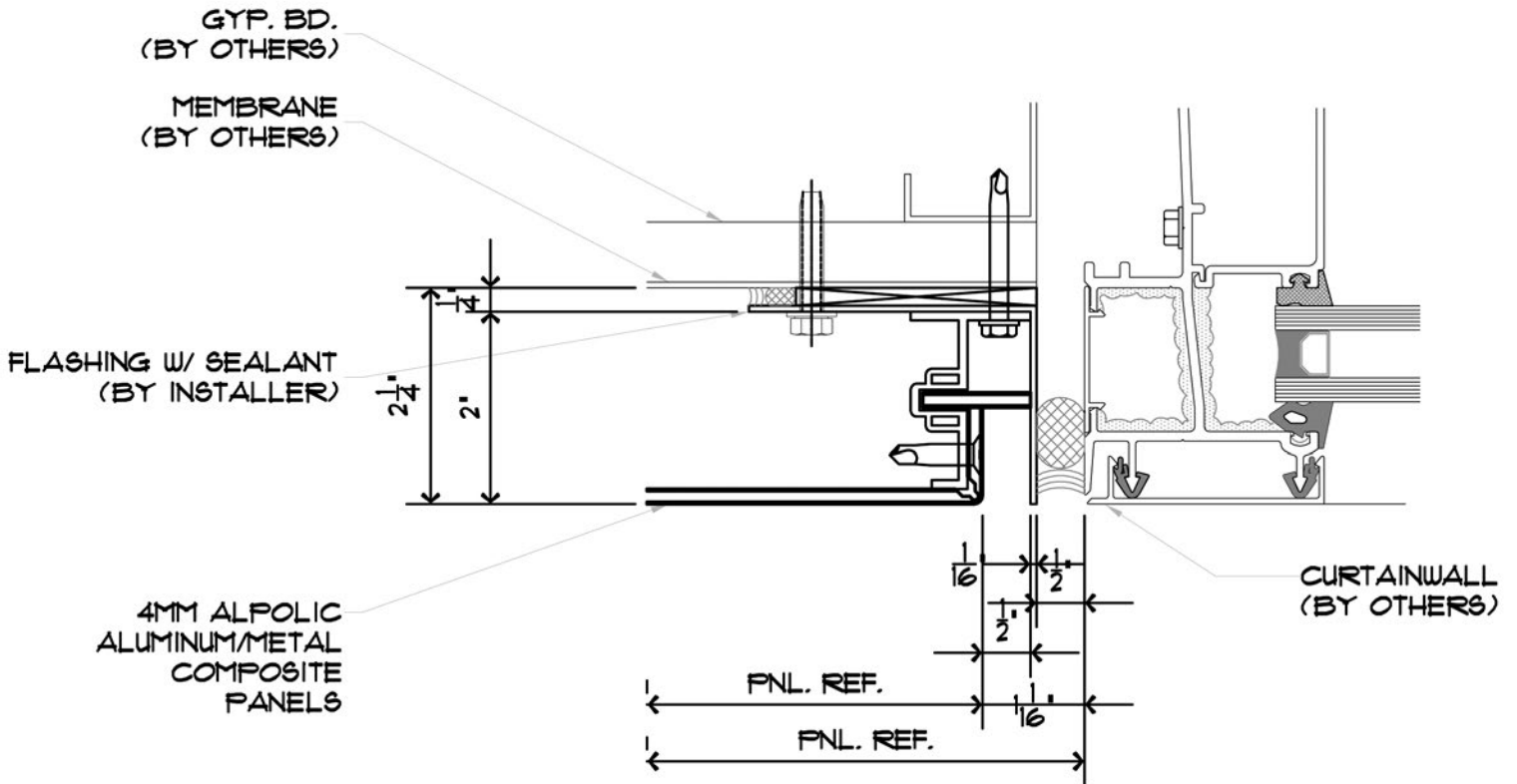
SCALE: 6" = 1'-0"

**ALPOLIC**<sup>®</sup>  
METAL COMPOSITE MATERIALS

 MITSUBISHI CHEMICAL COMPOSITES AMERICA, INC.

**RAIN SCREEN SYSTEM**  
10.01.05  
[www.alpolic-americas.com](http://www.alpolic-americas.com)

The design, fabrication and installation of the ALPOLIC<sup>®</sup> panels are the sole responsibility of the purchaser. The information contained on this website is for conceptual use only. Mitsubishi Chemical Composites America, Inc. shall have no responsibility or liability for the products usage or infringement of any patent or other proprietary right.



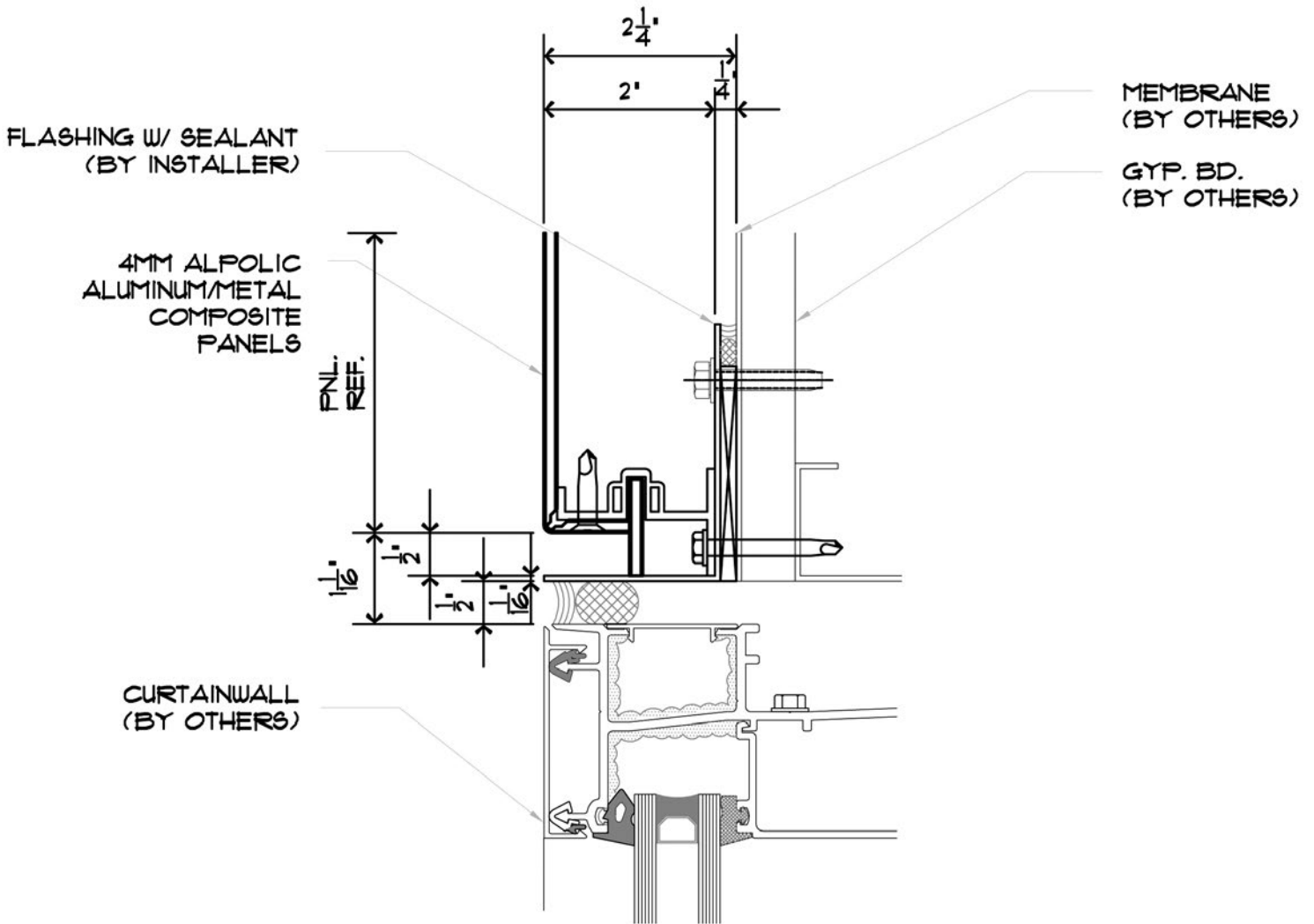
4 JAMB DETAIL  
 RS SCALE: 6" = 1'-0"

**ALPOLIC**<sup>®</sup>  
 METAL COMPOSITE MATERIALS


 MITSUBISHI CHEMICAL COMPOSITES AMERICA, INC.

**RAIN SCREEN SYSTEM**  
 10.01.05  
[www.alpolic-americas.com](http://www.alpolic-americas.com)

The design, fabrication and installation of the ALPOLIC<sup>®</sup> panels are the sole responsibility of the purchaser. The information contained on this website is for conceptual use only. Mitsubishi Chemical Composites America, Inc. shall have no responsibility or liability for the products usage or infringement of any patent or other proprietary right.



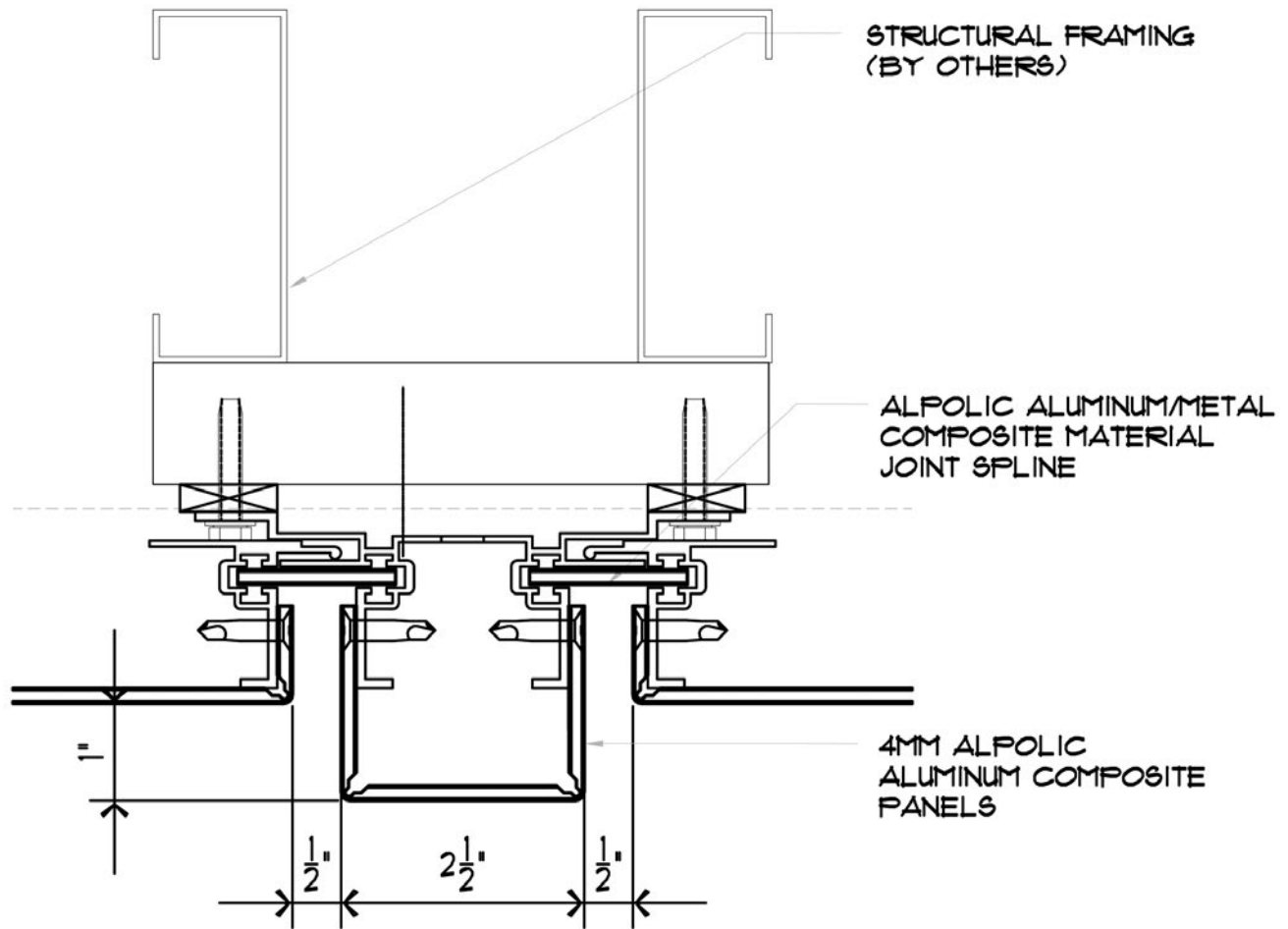
5 HEAD DETAIL  
 RS SCALE: 6" = 1'-0"

**ALPOLIC**<sup>®</sup>  
 METAL COMPOSITE MATERIALS

 MITSUBISHI CHEMICAL COMPOSITES AMERICA, INC.

**RAIN SCREEN SYSTEM**  
 10.01.05  
[www.alpolic-americas.com](http://www.alpolic-americas.com)

The design, fabrication and installation of the ALPOLIC<sup>®</sup> panels are the sole responsibility of the purchaser. The information contained on this website is for conceptual use only. Mitsubishi Chemical Composites America, Inc. shall have no responsibility or liability for the products usage or infringement of any patent or other proprietary right.



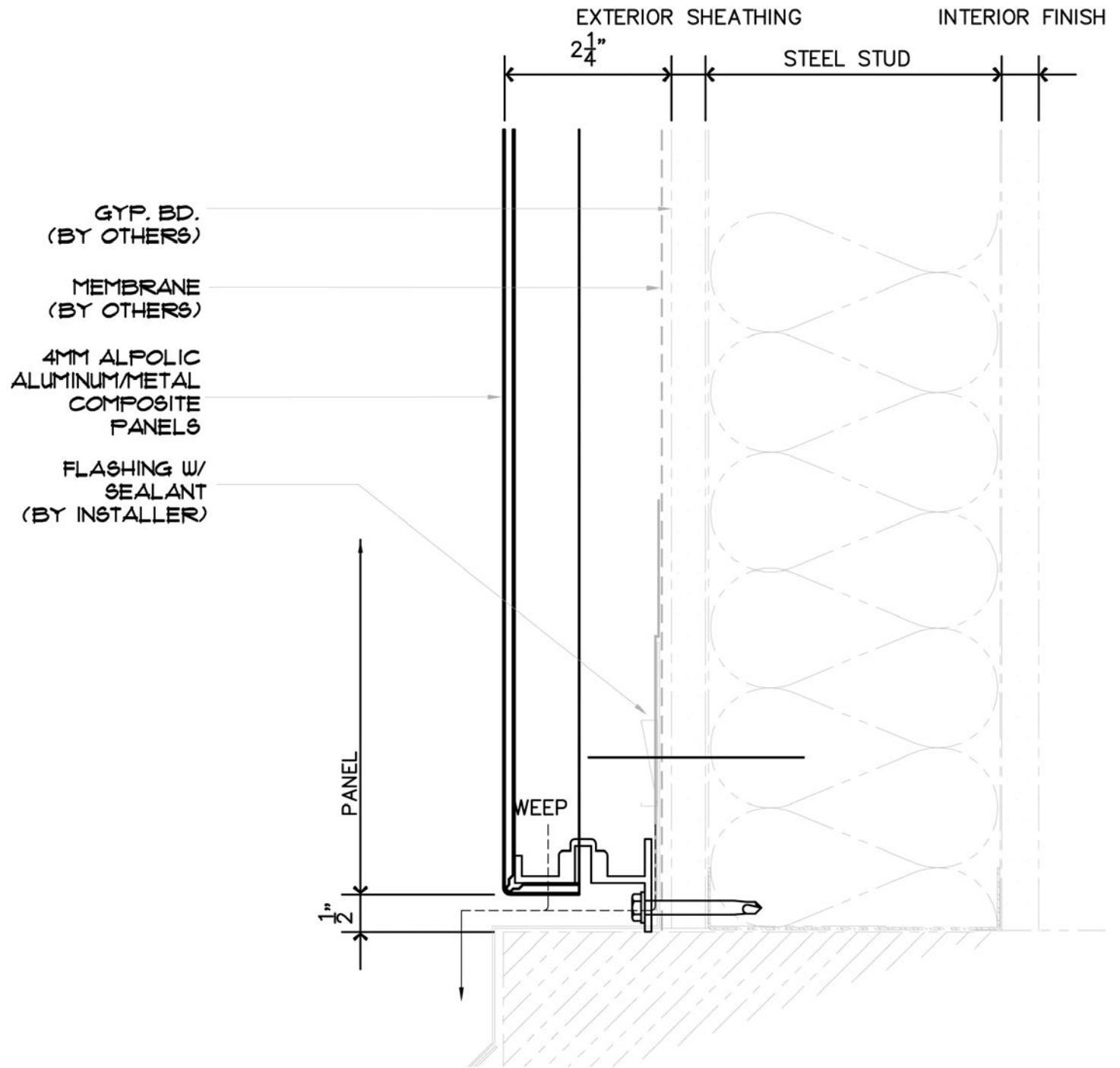
6 BATTEN DETAIL  
 RS SCALE: 6" = 1'-0"

**ALPOLIC**<sup>®</sup>  
 METAL COMPOSITE MATERIALS

 MITSUBISHI CHEMICAL COMPOSITES AMERICA, INC.

RAIN SCREEN SYSTEM  
 10.01.05  
[www.alpolic-americas.com](http://www.alpolic-americas.com)

The design, fabrication and installation of the ALPOLIC<sup>®</sup> panels are the sole responsibility of the purchaser. The information contained on this website is for conceptual use only. Mitsubishi Chemical Composites America, Inc. shall have no responsibility or liability for the products usage or infringement of any patent or other proprietary right.



7  
RS

## BASE CONDITION

SCALE: 6" = 1'-0"

**ALPOLIC**<sup>®</sup>  
METAL COMPOSITE MATERIALS

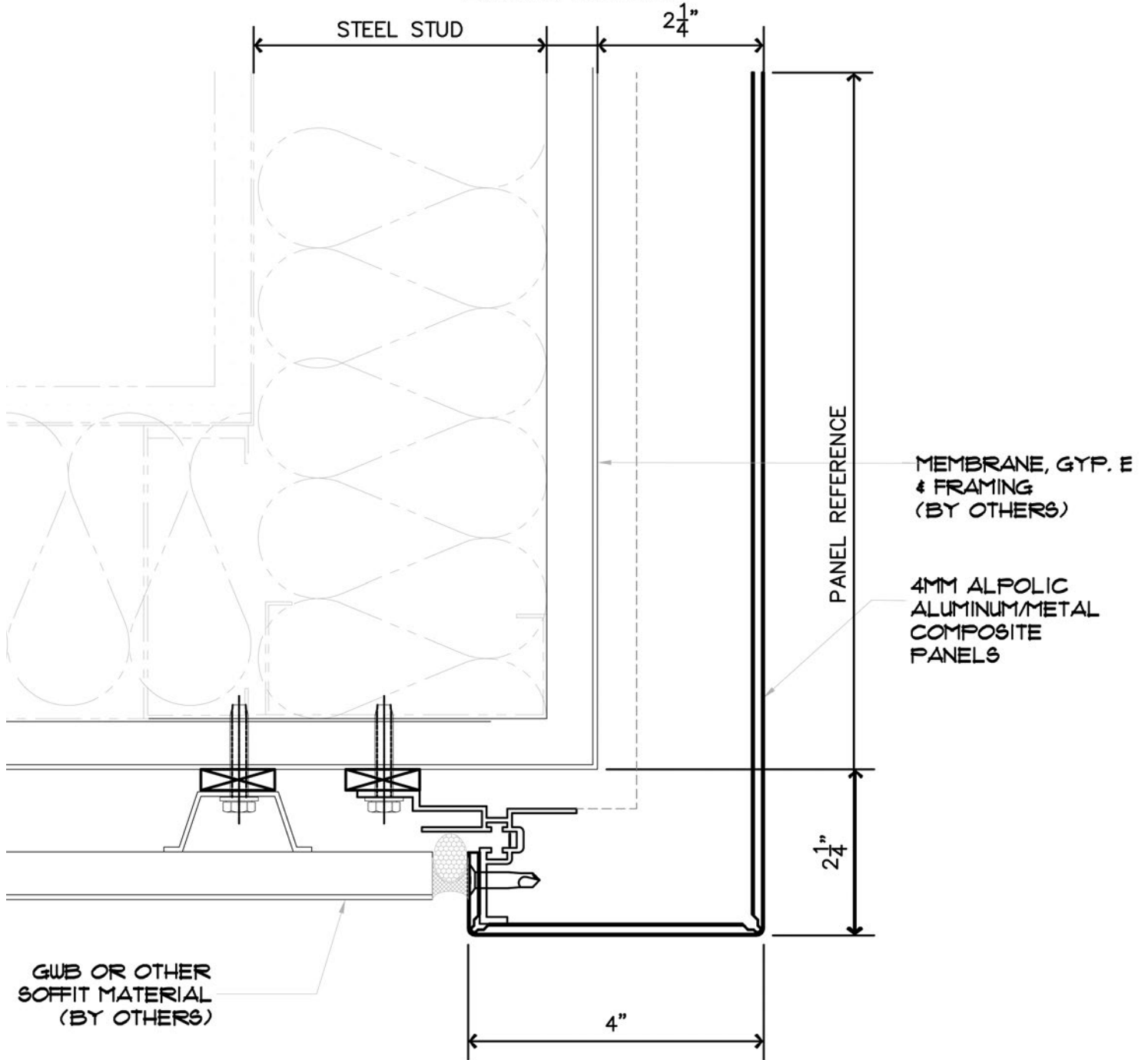
 MITSUBISHI CHEMICAL COMPOSITES AMERICA, INC.

**RAIN SCREEN SYSTEM**  
10.01.05  
[www.alpolic-americas.com](http://www.alpolic-americas.com)

The design, fabrication and installation of the ALPOLIC<sup>®</sup> panels are the sole responsibility of the purchaser. The information contained on this website is for conceptual use only. Mitsubishi Chemical Composites America, Inc. shall have no responsibility or liability for the products usage or infringement of any patent or other proprietary right.



EXTERIOR SHEATHING



8  
RS

## SOFFIT DETAIL

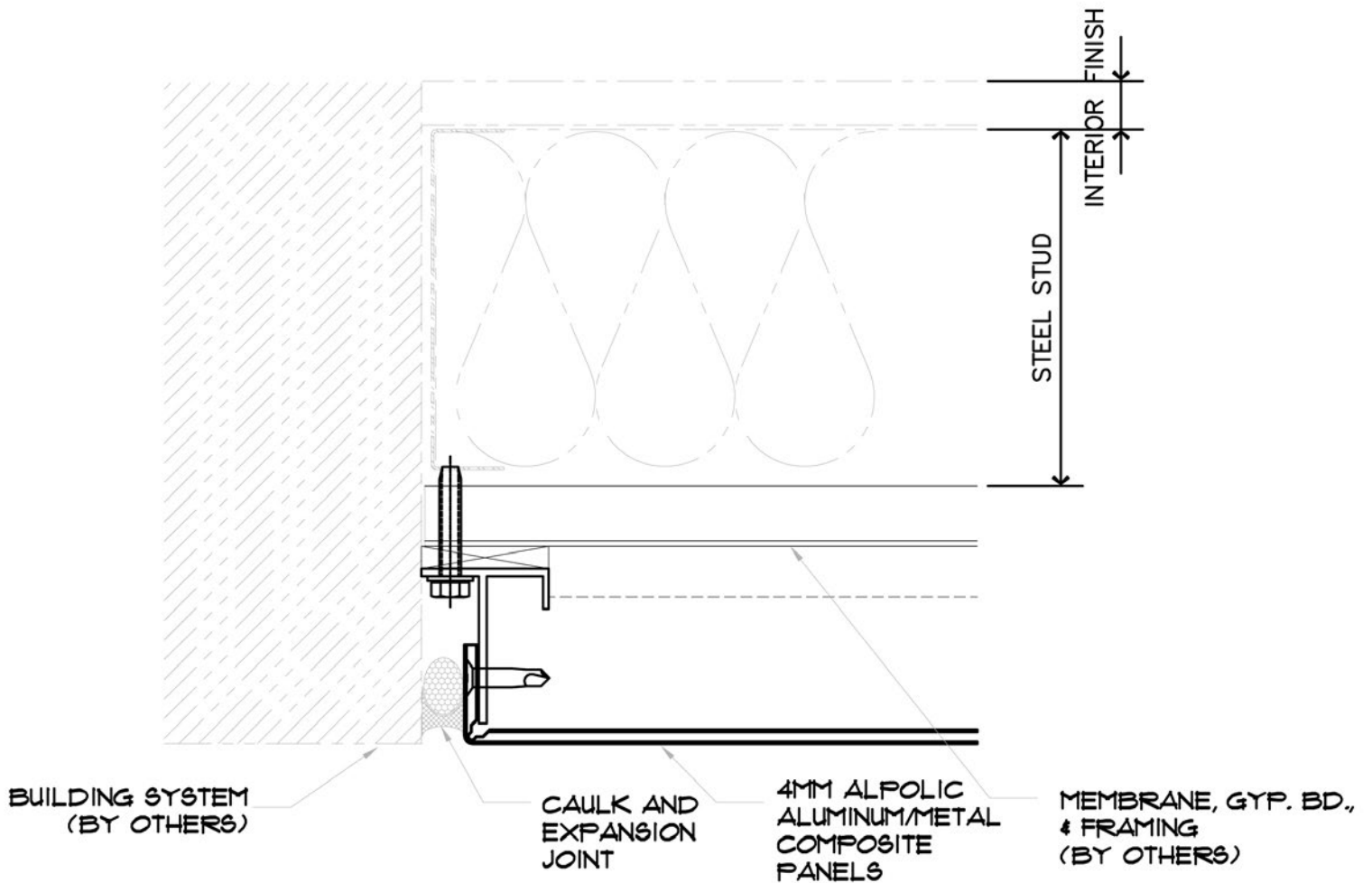
SCALE: 6" = 1'-0"

**ALPOLIC**<sup>®</sup>  
METAL COMPOSITE MATERIALS

 MITSUBISHI CHEMICAL COMPOSITES AMERICA, INC.

RAIN SCREEN SYSTEM  
10.01.05  
[www.alpolic-americas.com](http://www.alpolic-americas.com)

The design, fabrication and installation of the ALPOLIC<sup>®</sup> panels are the sole responsibility of the purchaser. The information contained on this website is for conceptual use only. Mitsubishi Chemical Composites America, Inc. shall have no responsibility or liability for the products usage or infringement of any patent or other proprietary right.



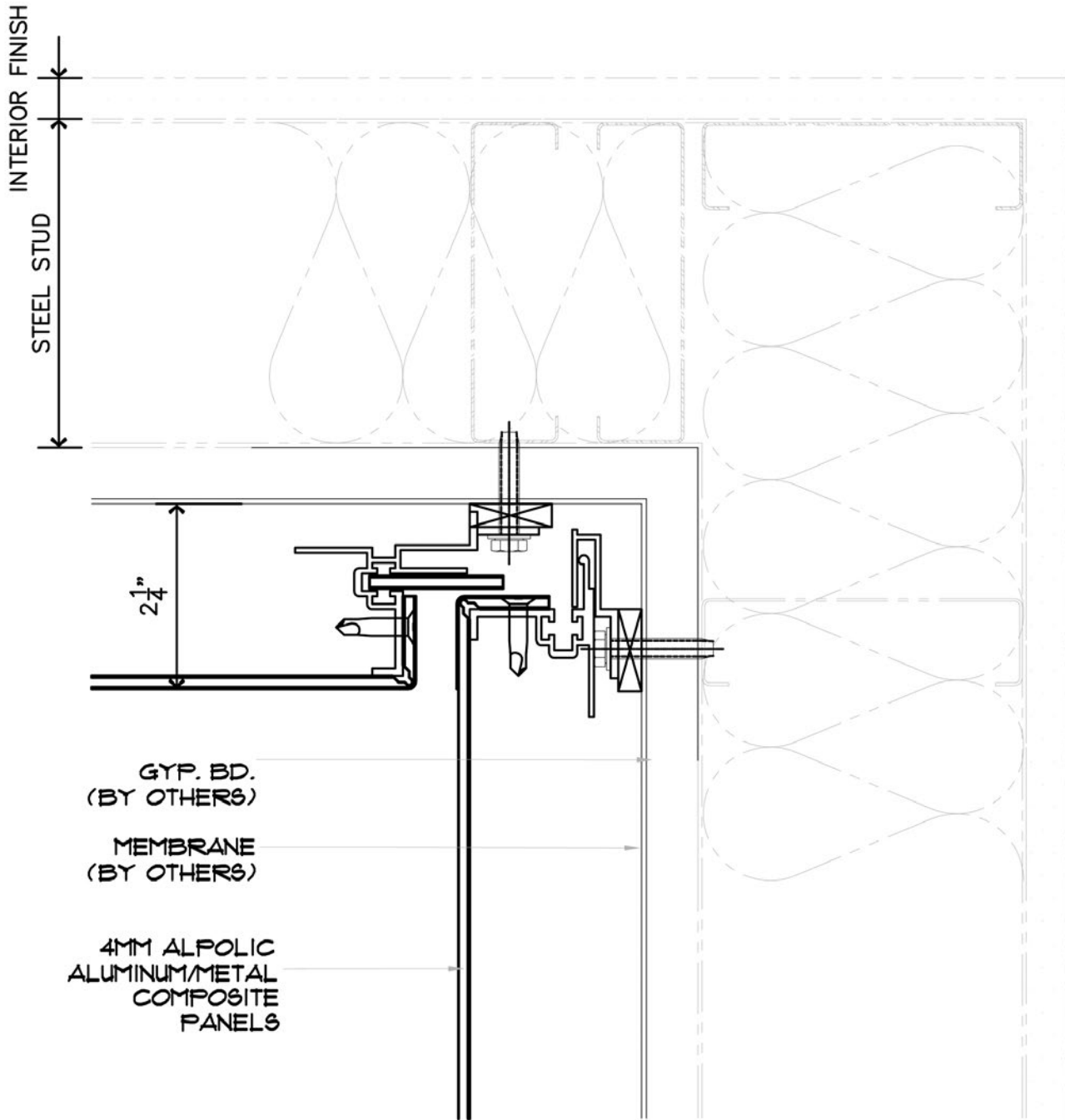
9 ABUTMENT DETAIL  
 RS SCALE: 6" = 1'-0"

**ALPOLIC**<sup>®</sup>  
 METAL COMPOSITE MATERIALS

 MITSUBISHI CHEMICAL COMPOSITES AMERICA, INC.

**RAIN SCREEN SYSTEM**  
 10.01.05  
[www.alpolic-americas.com](http://www.alpolic-americas.com)

The design, fabrication and installation of the ALPOLIC<sup>®</sup> panels are the sole responsibility of the purchaser. The information contained on this website is for conceptual use only. Mitsubishi Chemical Composites America, Inc. shall have no responsibility or liability for the products usage or infringement of any patent or other proprietary right.



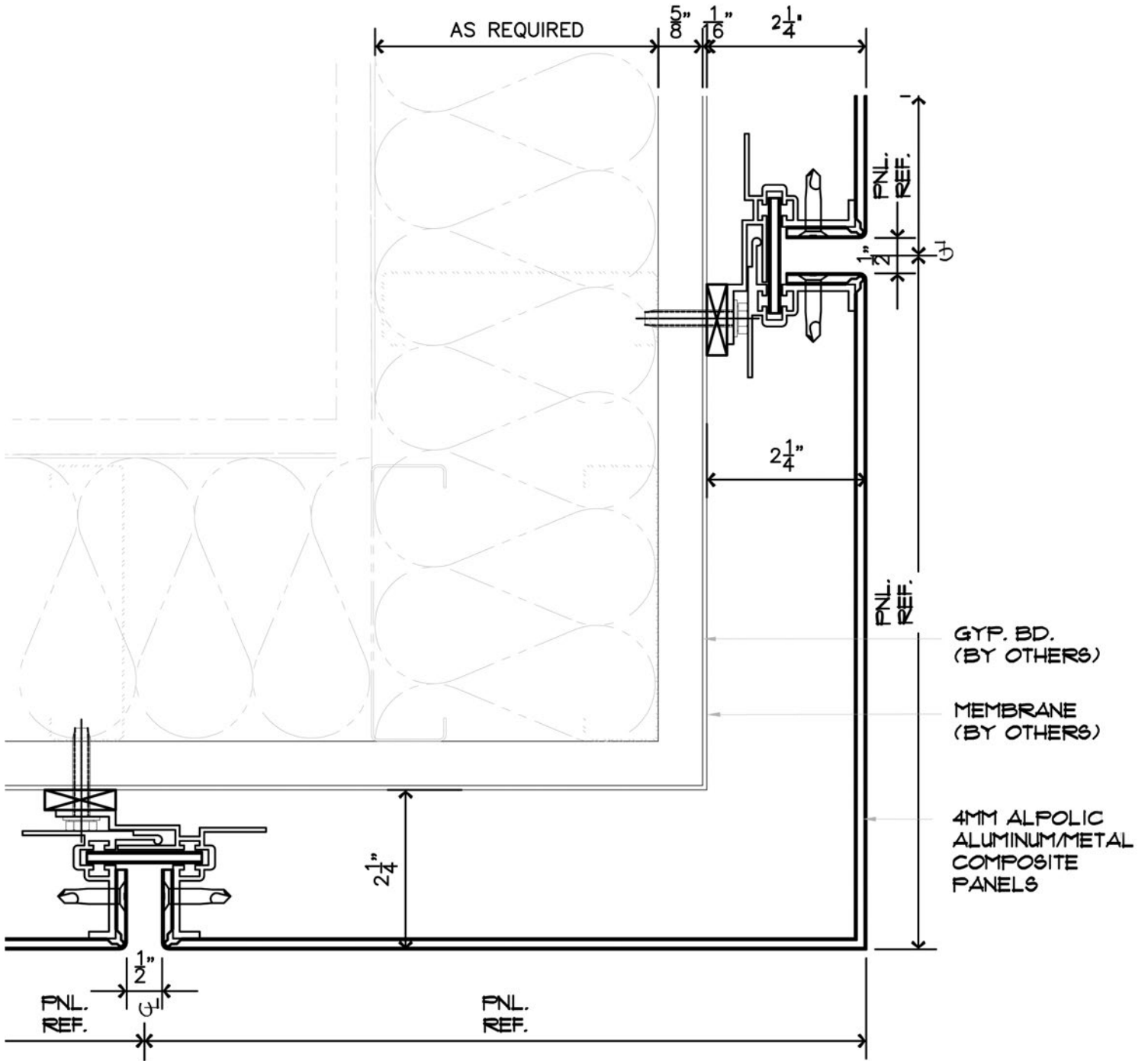
10 INSIDE CORNER  
RS SCALE: 6" = 1'-0"

**ALPOLIC**<sup>®</sup>  
METAL COMPOSITE MATERIALS

 MITSUBISHI CHEMICAL COMPOSITES AMERICA, INC.

**RAIN SCREEN SYSTEM**  
10.01.05  
[www.alpolic-americas.com](http://www.alpolic-americas.com)

The design, fabrication and installation of the ALPOLIC<sup>®</sup> panels are the sole responsibility of the purchaser. The information contained on this website is for conceptual use only. Mitsubishi Chemical Composites America, Inc. shall have no responsibility or liability for the products usage or infringement of any patent or other proprietary right.



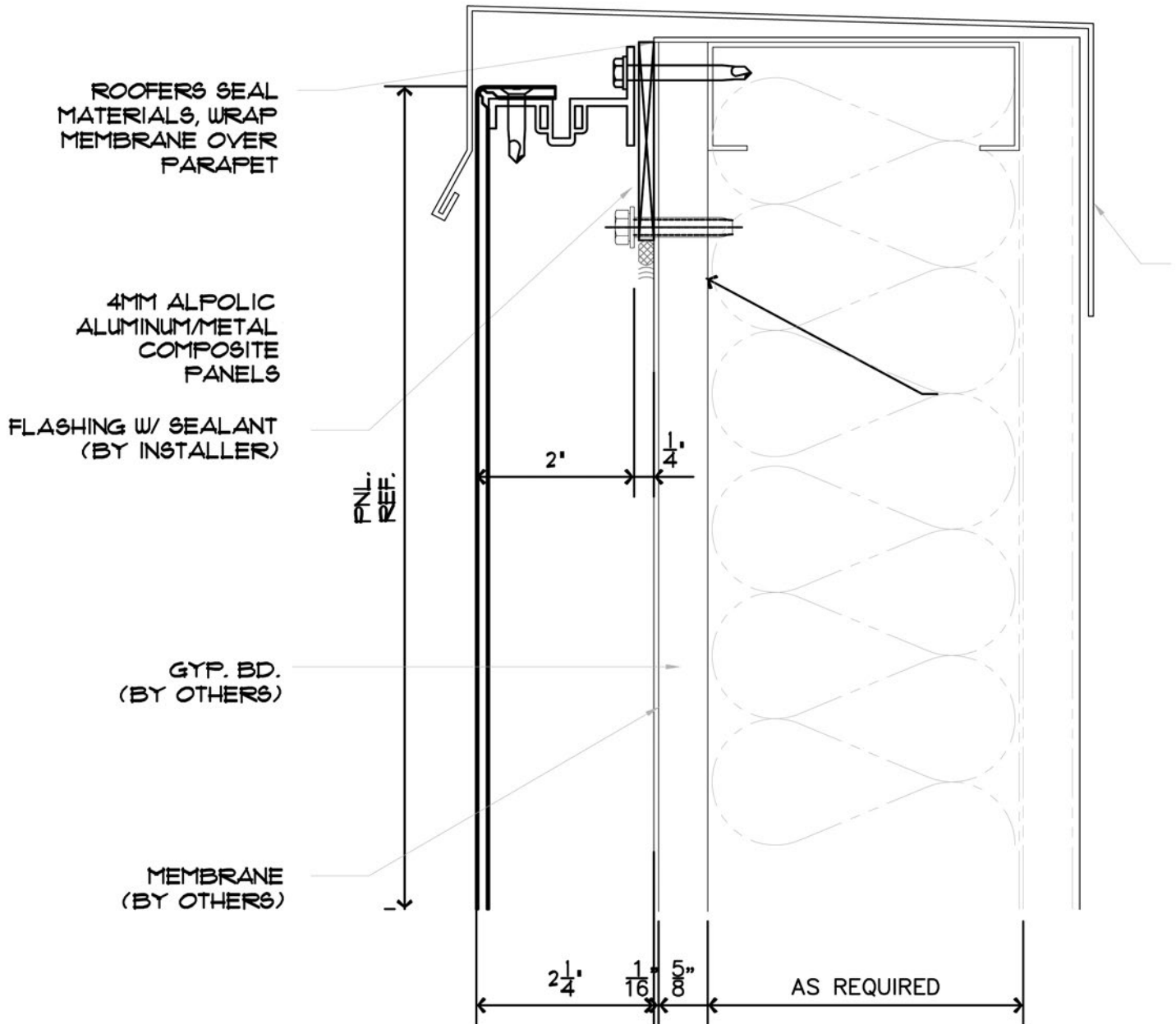
11 OUTSIDE CORNER  
 RS SCALE: 6" = 1'-0"

**ALPOLIC**<sup>®</sup>  
 METAL COMPOSITE MATERIALS

 MITSUBISHI CHEMICAL COMPOSITES AMERICA, INC.

RAIN SCREEN SYSTEM  
 10.01.05  
[www.alpolic-americas.com](http://www.alpolic-americas.com)

The design, fabrication and installation of the ALPOLIC<sup>®</sup> panels are the sole responsibility of the purchaser. The information contained on this website is for conceptual use only. Mitsubishi Chemical Composites America, Inc. shall have no responsibility or liability for the products usage or infringement of any patent or other proprietary right.



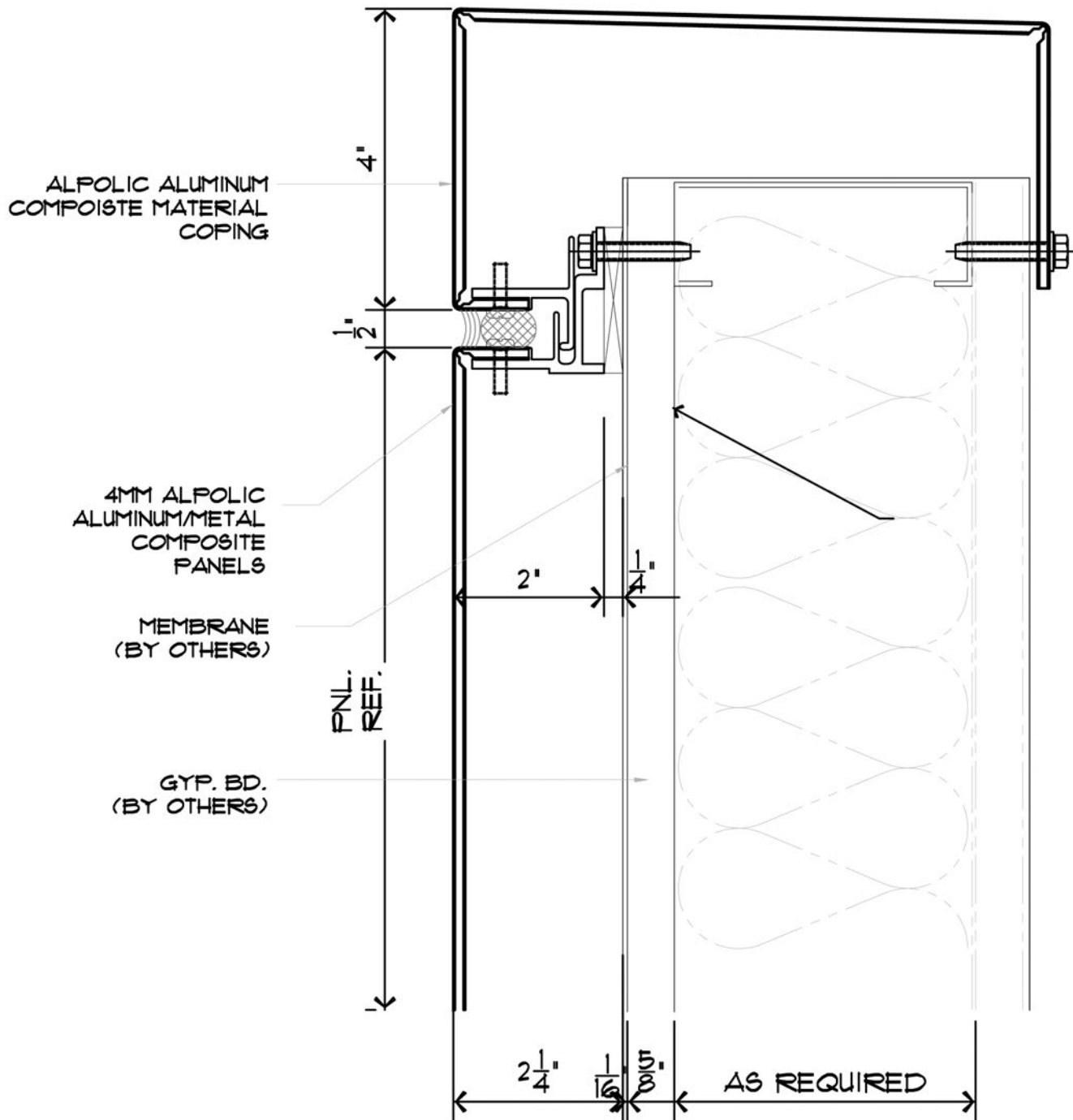
12 PARAPET DETAIL  
 RS SCALE: 6" = 1'-0"

**ALPOLIC**<sup>®</sup>  
 METAL COMPOSITE MATERIALS

 MITSUBISHI CHEMICAL COMPOSITES AMERICA, INC.

**RAIN SCREEN SYSTEM**  
 10.01.05  
[www.alpolic-americas.com](http://www.alpolic-americas.com)

The design, fabrication and installation of the ALPOLIC<sup>®</sup> panels are the sole responsibility of the purchaser. The information contained on this website is for conceptual use only. Mitsubishi Chemical Composites America, Inc. shall have no responsibility or liability for the products usage or infringement of any patent or other proprietary right.



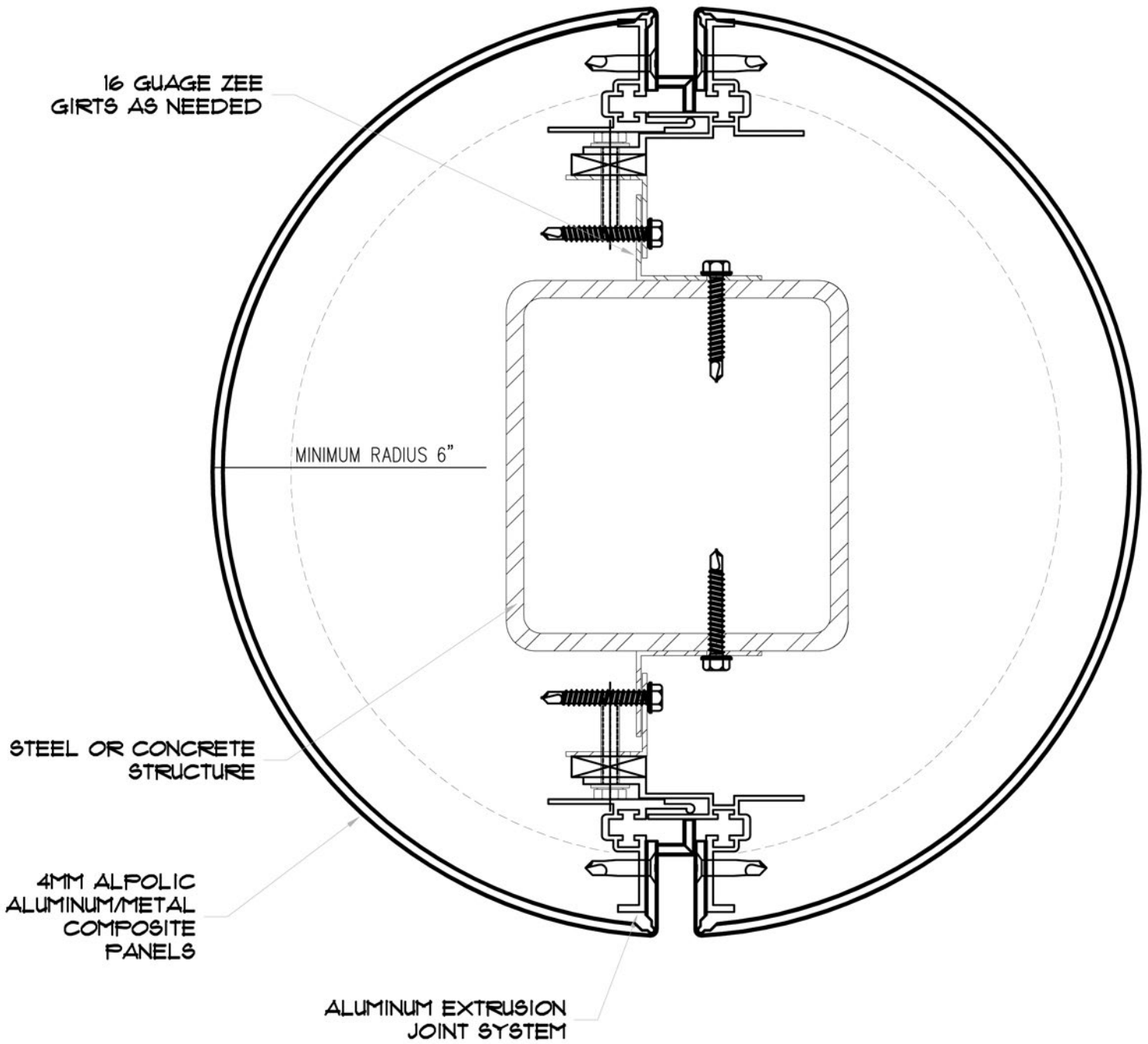
12A PARAPET DETAIL, OPTION 2  
 RS SCALE: 6" = 1'-0"

**ALPOLIC**<sup>®</sup>  
 METAL COMPOSITE MATERIALS

 MITSUBISHI CHEMICAL COMPOSITES AMERICA, INC.

**RAIN SCREEN SYSTEM**  
 10.01.05  
[www.alpolic-americas.com](http://www.alpolic-americas.com)

The design, fabrication and installation of the ALPOLIC<sup>®</sup> panels are the sole responsibility of the purchaser. The information contained on this website is for conceptual use only. Mitsubishi Chemical Composites America, Inc. shall have no responsibility or liability for the products usage or infringement of any patent or other proprietary right.



13  
RS

CIRCULAR COLUMN

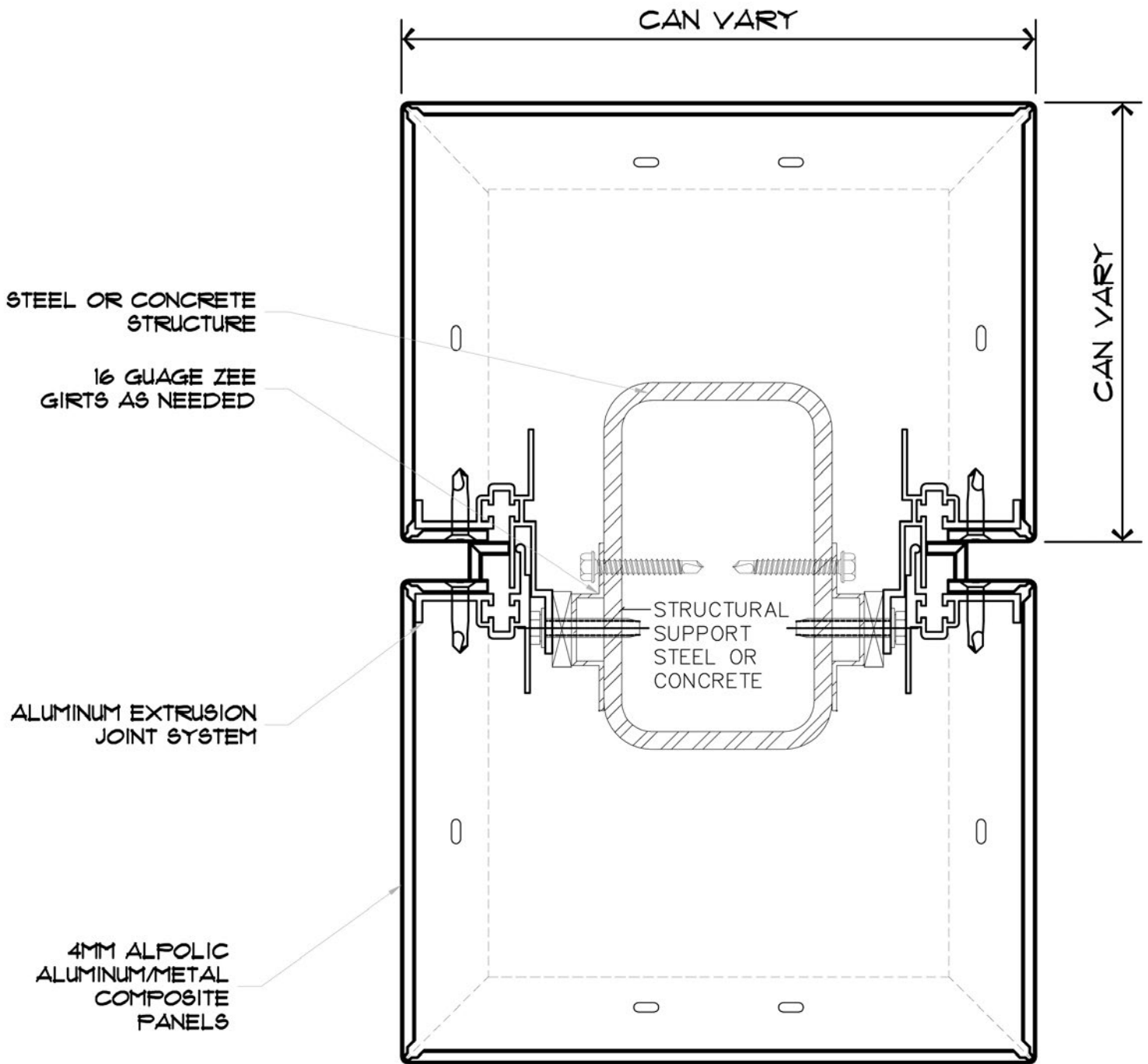
SCALE: 6" = 1'-0"

**ALPOLIC**<sup>®</sup>  
METAL COMPOSITE MATERIALS

 MITSUBISHI CHEMICAL COMPOSITES AMERICA, INC.

**RAIN SCREEN SYSTEM**  
10.01.05  
[www.alpolic-americas.com](http://www.alpolic-americas.com)

The design, fabrication and installation of the ALPOLIC<sup>®</sup> panels are the sole responsibility of the purchaser. The information contained on this website is for conceptual use only. Mitsubishi Chemical Composites America, Inc. shall have no responsibility or liability for the products usage or infringement of any patent or other proprietary right.



14 SQUARE COLUMN  
RS SCALE: 6" = 1'-0"

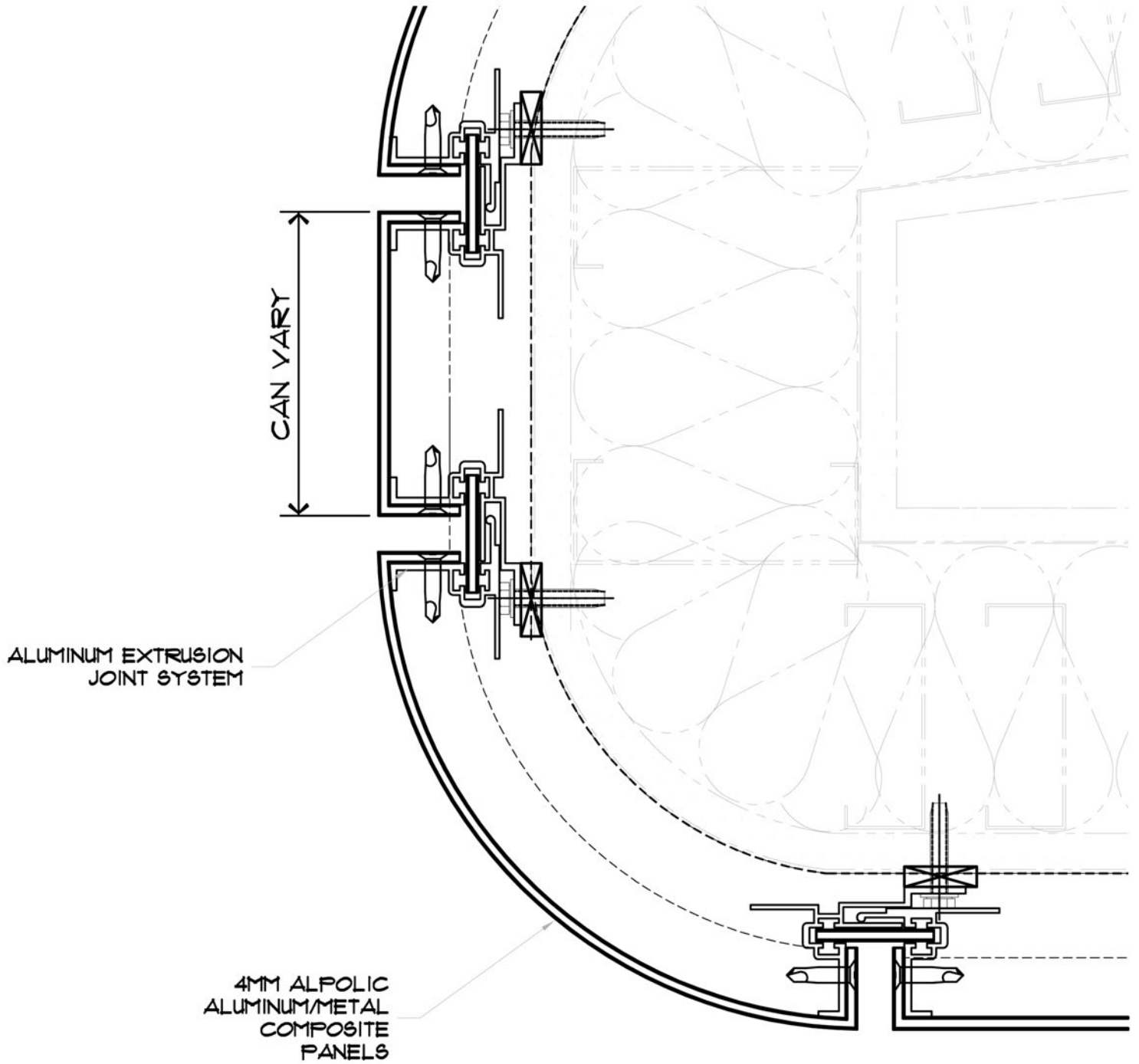
**ALPOLIC**<sup>®</sup>  
METAL COMPOSITE MATERIALS

 MITSUBISHI CHEMICAL COMPOSITES AMERICA, INC.

RAIN SCREEN SYSTEM  
10.01.05  
[www.alpolic-americas.com](http://www.alpolic-americas.com)

The design, fabrication and installation of the ALPOLIC<sup>®</sup> panels are the sole responsibility of the purchaser. The information contained on this website is for conceptual use only. Mitsubishi Chemical Composites America, Inc. shall have no responsibility or liability for the products usage or infringement of any patent or other proprietary right.





15 CANOPY/SUNSHADE  
 RS SCALE: 6" = 1'-0"

**ALPOLIC**<sup>®</sup>  
 METAL COMPOSITE MATERIALS

 MITSUBISHI CHEMICAL COMPOSITES AMERICA, INC.

**RAIN SCREEN SYSTEM**  
 10.01.05  
[www.alpolic-americas.com](http://www.alpolic-americas.com)

The design, fabrication and installation of the ALPOLIC<sup>®</sup> panels are the sole responsibility of the purchaser. The information contained on this website is for conceptual use only. Mitsubishi Chemical Composites America, Inc. shall have no responsibility or liability for the products usage or infringement of any patent or other proprietary right.