

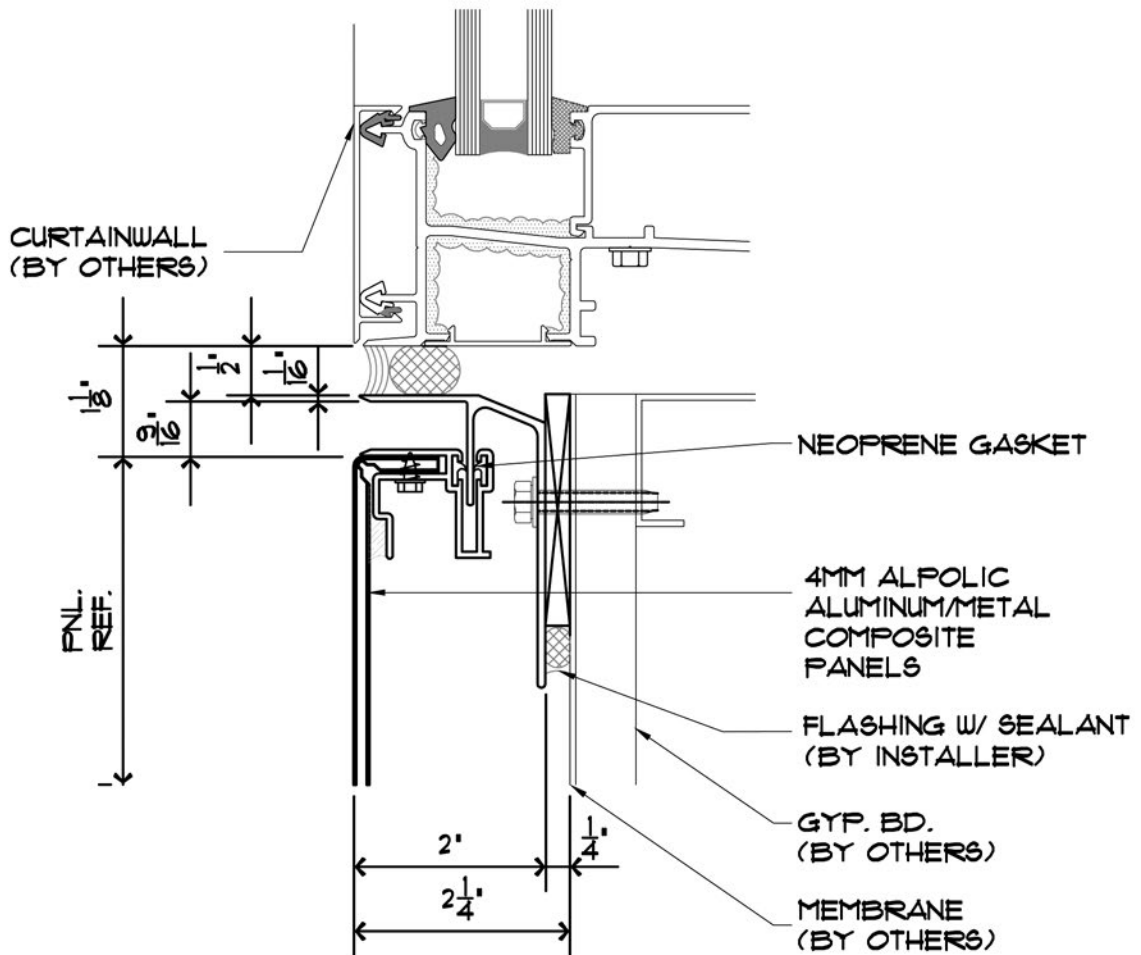
ALPOLIC[®]

METAL COMPOSITE MATERIALS

 MITSUBISHI CHEMICAL COMPOSITES AMERICA, INC.

DRY SEAL SYSTEM
10.01.05
www.alpolic-americas.com

The design, fabrication and installation of the ALPOLIC[®] panels are the sole responsibility of the purchaser. The information contained on this website is for conceptual use only. Mitsubishi Chemical Composites America, Inc. shall have no responsibility or liability for the products usage or infringement of any patent or other proprietary right.



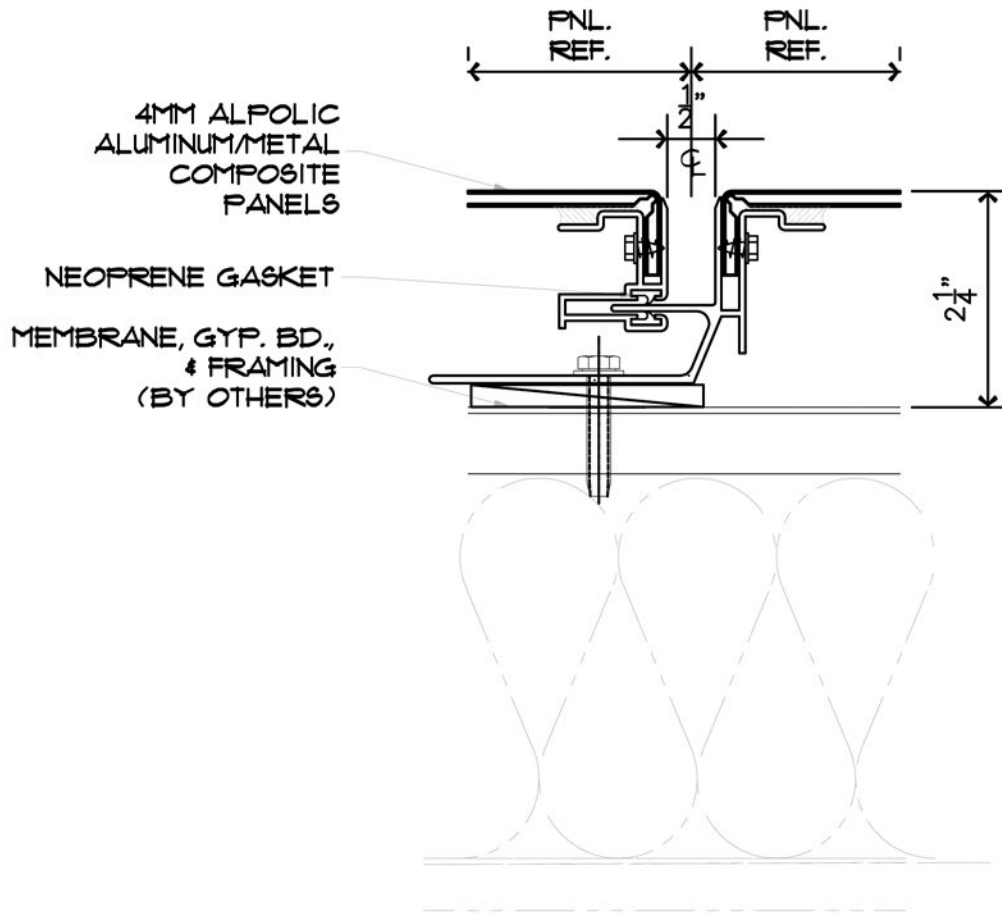
1 SILL DETAIL
 DS SCALE: 6" = 1'-0"

ALPOLIC[®]
 METAL COMPOSITE MATERIALS

 MITSUBISHI CHEMICAL COMPOSITES AMERICA, INC.

DRY SEAL SYSTEM
 10.01.05
www.alpolic-americas.com

The design, fabrication and installation of the ALPOLIC[®] panels are the sole responsibility of the purchaser. The information contained on this website is for conceptual use only. Mitsubishi Chemical Composites America, Inc. shall have no responsibility or liability for the products usage or infringement of any patent or other proprietary right.



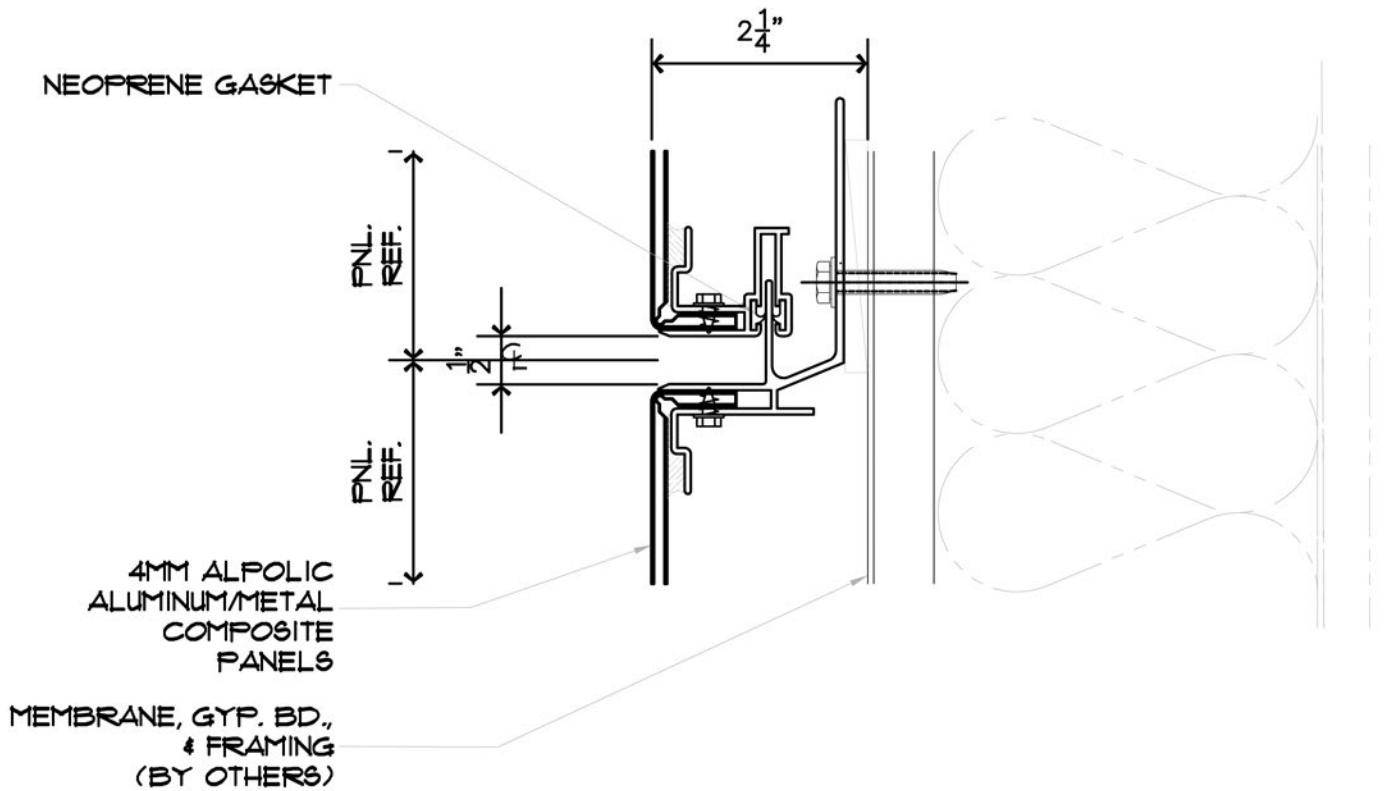
2 VERTICAL JOINT
 DS SCALE: 6" = 1'-0"

ALPOLIC[®]
 METAL COMPOSITE MATERIALS

 MITSUBISHI CHEMICAL COMPOSITES AMERICA, INC.

DRY SEAL SYSTEM
 10.01.05
www.alpolic-americas.com

The design, fabrication and installation of the ALPOLIC[®] panels are the sole responsibility of the purchaser. The information contained on this website is for conceptual use only. Mitsubishi Chemical Composites America, Inc. shall have no responsibility or liability for the products usage or infringement of any patent or other proprietary right.



3 HORIZONTAL JOINT

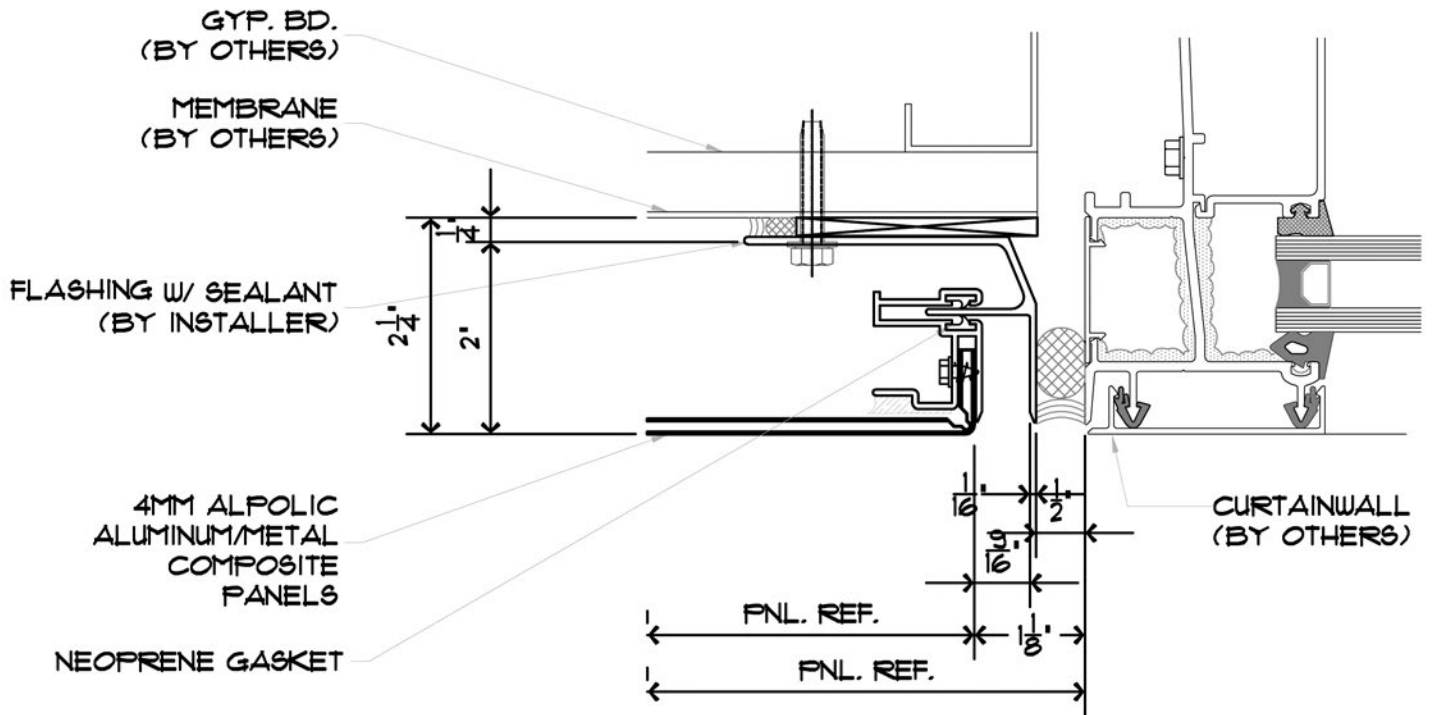
DS SCALE: 6" = 1'-0"

ALPOLIC[®]
METAL COMPOSITE MATERIALS

 MITSUBISHI CHEMICAL COMPOSITES AMERICA, INC.

DRY SEAL SYSTEM
10.01.05
www.alpolic-americas.com

The design, fabrication and installation of the ALPOLIC[®] panels are the sole responsibility of the purchaser. The information contained on this website is for conceptual use only. Mitsubishi Chemical Composites America, Inc. shall have no responsibility or liability for the products usage or infringement of any patent or other proprietary right.



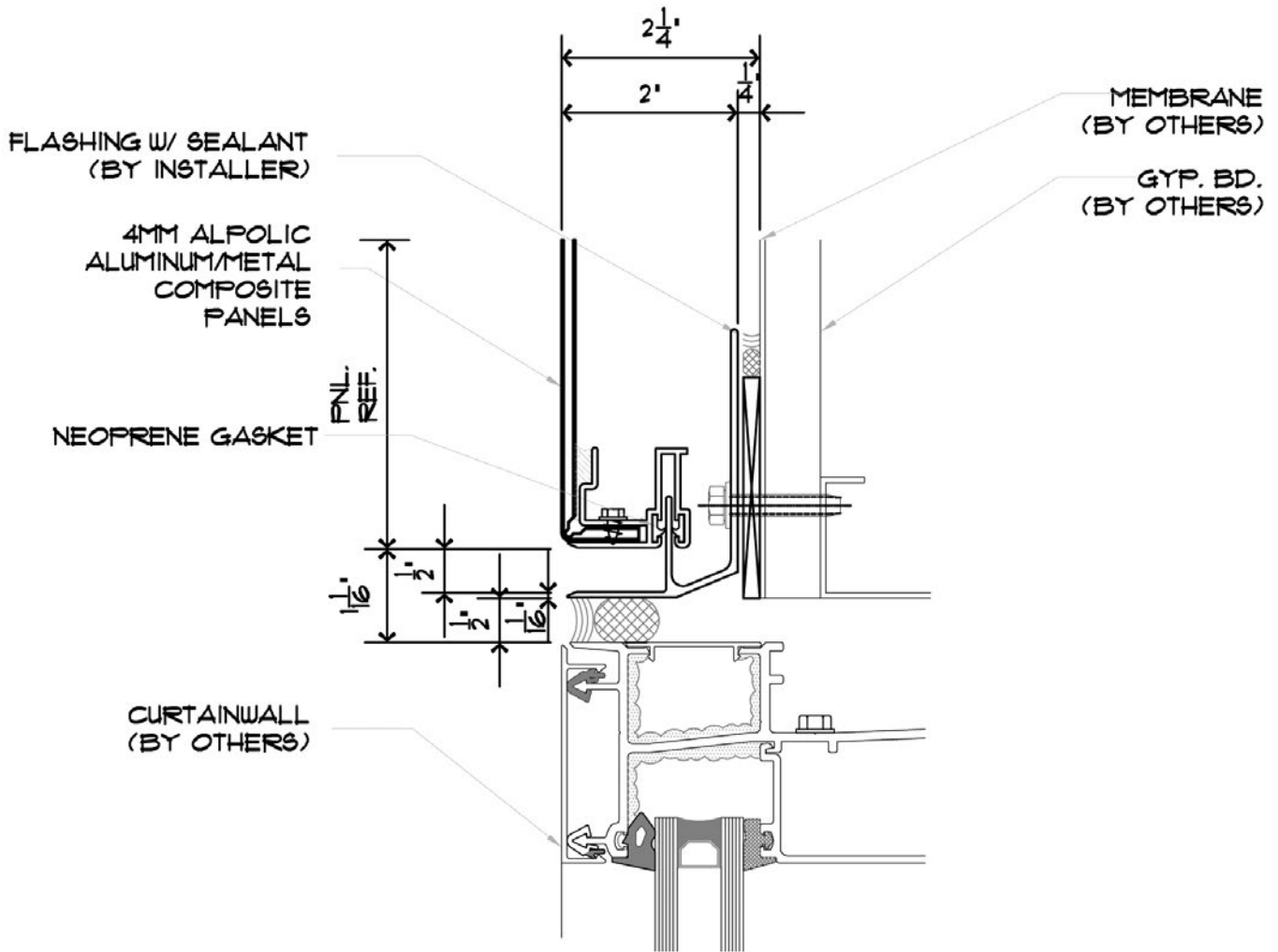
4 JAMB DETAIL
 DS SCALE: 6" = 1'-0"

ALPOLIC[®]
 METAL COMPOSITE MATERIALS


 MITSUBISHI CHEMICAL COMPOSITES AMERICA, INC.

DRY SEAL SYSTEM
 10.01.05
www.alpolic-americas.com

The design, fabrication and installation of the ALPOLIC[®] panels are the sole responsibility of the purchaser. The information contained on this website is for conceptual use only. Mitsubishi Chemical Composites America, Inc. shall have no responsibility or liability for the products usage or infringement of any patent or other proprietary right.



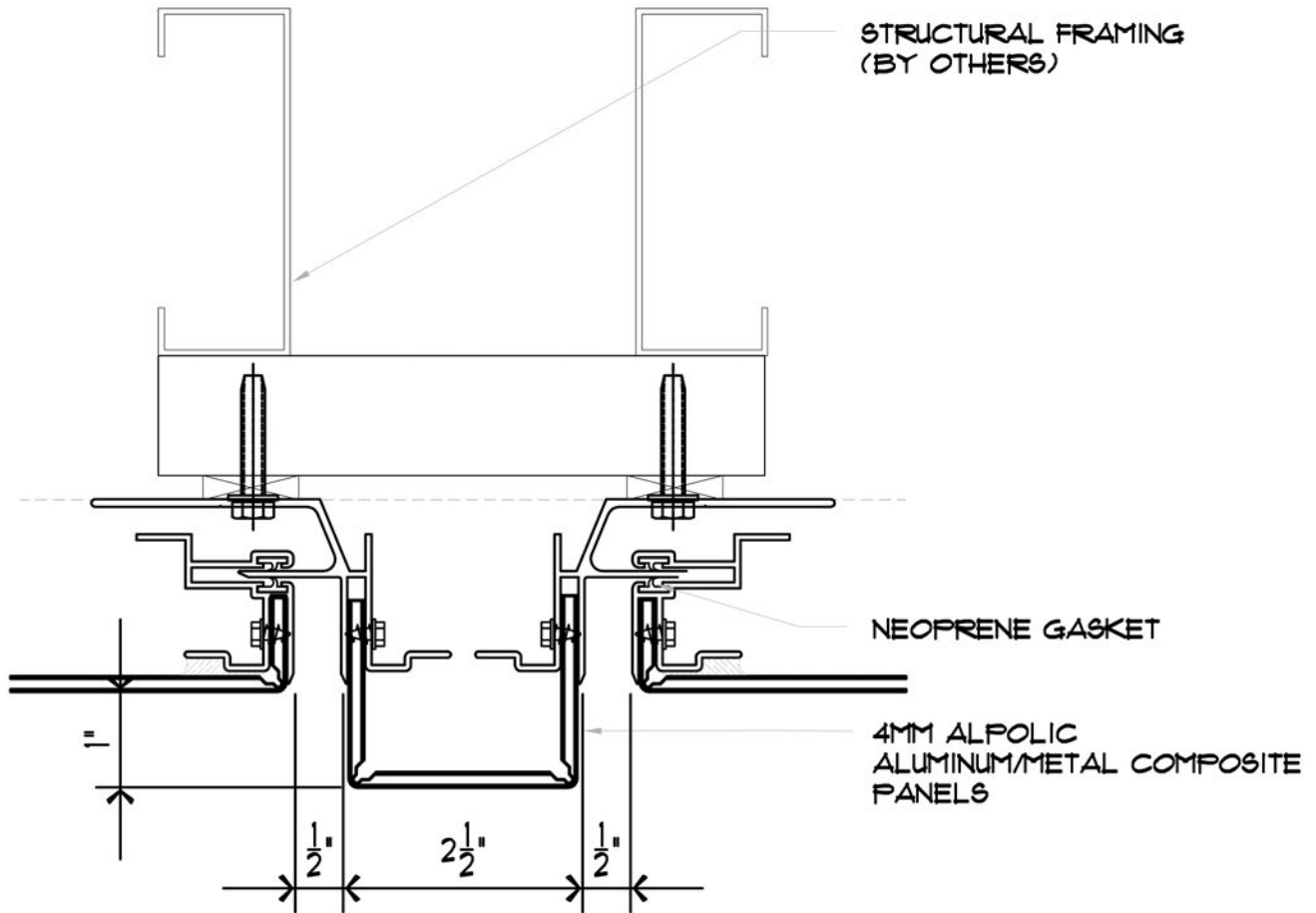
5 HEAD DETAIL
 DS SCALE: 6" = 1'-0"

ALPOLIC[®]
 METAL COMPOSITE MATERIALS

 MITSUBISHI CHEMICAL COMPOSITES AMERICA, INC.

DRY SEAL SYSTEM
 10.01.05
www.alpolic-americas.com

The design, fabrication and installation of the ALPOLIC[®] panels are the sole responsibility of the purchaser. The information contained on this website is for conceptual use only. Mitsubishi Chemical Composites America, Inc. shall have no responsibility or liability for the products usage or infringement of any patent or other proprietary right.



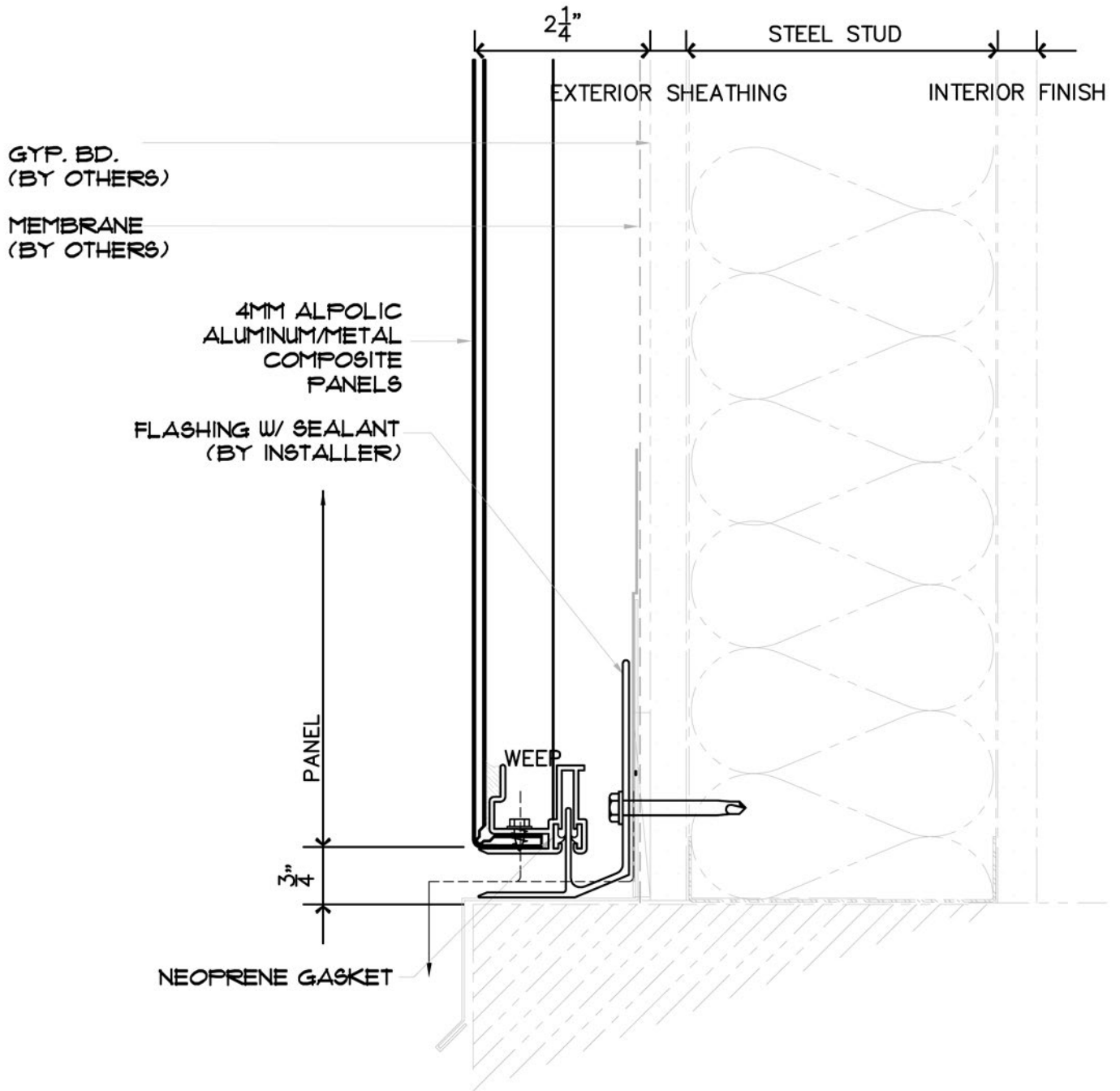
6 BATTEN DETAIL
 DS SCALE: 6" = 1'-0"

ALPOLIC[®]
 METAL COMPOSITE MATERIALS

 MITSUBISHI CHEMICAL COMPOSITES AMERICA, INC.

DRY SEAL SYSTEM
 10.01.05
www.alpolic-americas.com

The design, fabrication and installation of the ALPOLIC[®] panels are the sole responsibility of the purchaser. The information contained on this website is for conceptual use only. Mitsubishi Chemical Composites America, Inc. shall have no responsibility or liability for the products usage or infringement of any patent or other proprietary right.



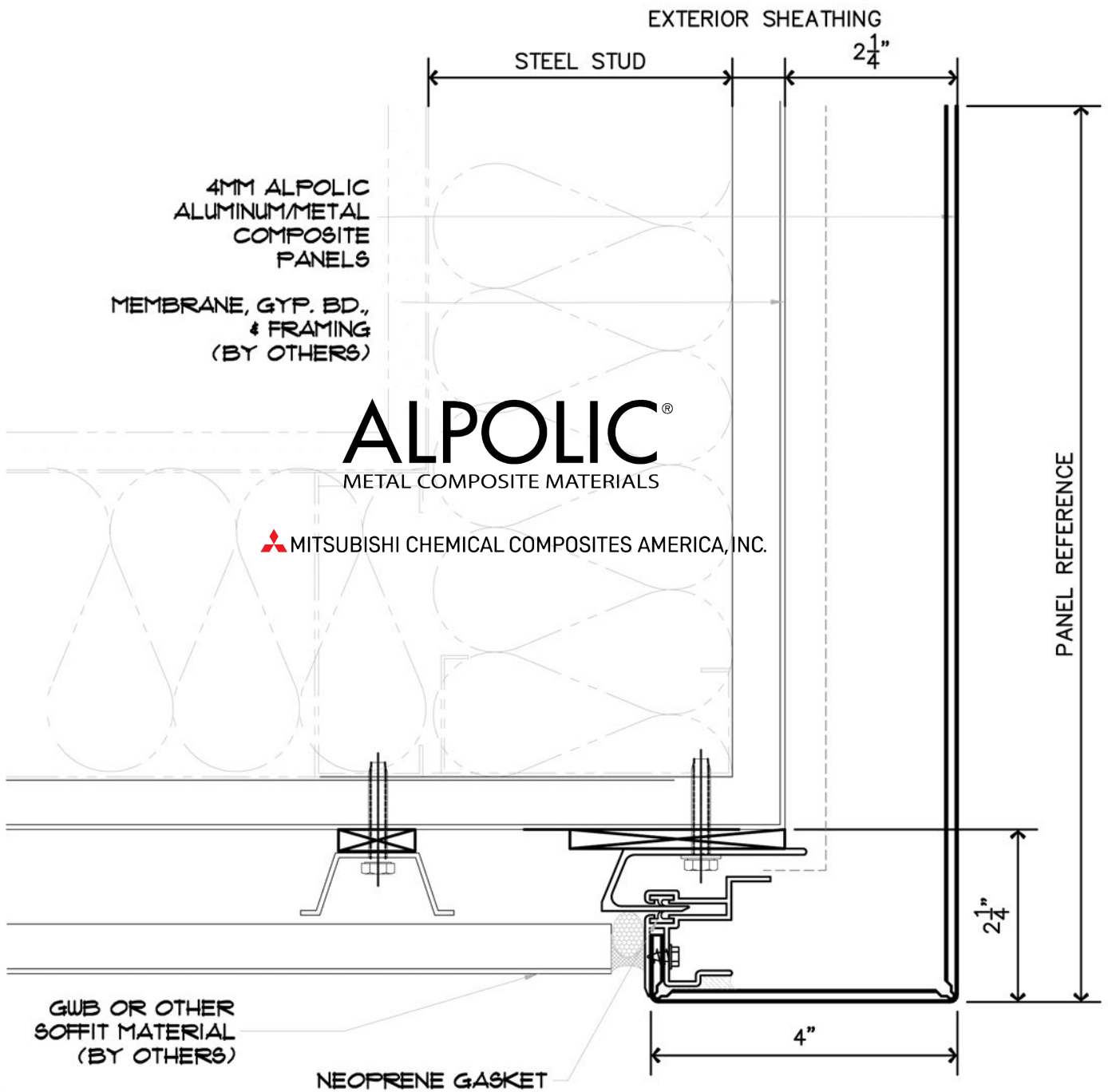
7 BASE CONDITION
 DS SCALE: 6" = 1'-0"

ALPOLIC[®]
 METAL COMPOSITE MATERIALS


 MITSUBISHI CHEMICAL COMPOSITES AMERICA, INC.

DRY SEAL SYSTEM
10.01.05
www.alpolic-americas.com

The design, fabrication and installation of the ALPOLIC[®] panels are the sole responsibility of the purchaser. The information contained on this website is for conceptual use only. Mitsubishi Chemical Composites America, Inc. shall have no responsibility or liability for the products usage or infringement of any patent or other proprietary right.



ALPOLIC[®]

METAL COMPOSITE MATERIALS

 MITSUBISHI CHEMICAL COMPOSITES AMERICA, INC.

GWB OR OTHER
SOFFIT MATERIAL
(BY OTHERS)

NEOPRENE GASKET

8

SOFFIT DETAIL

DS

SCALE: 6" = 1'-0"

ALPOLIC[®]

METAL COMPOSITE MATERIALS

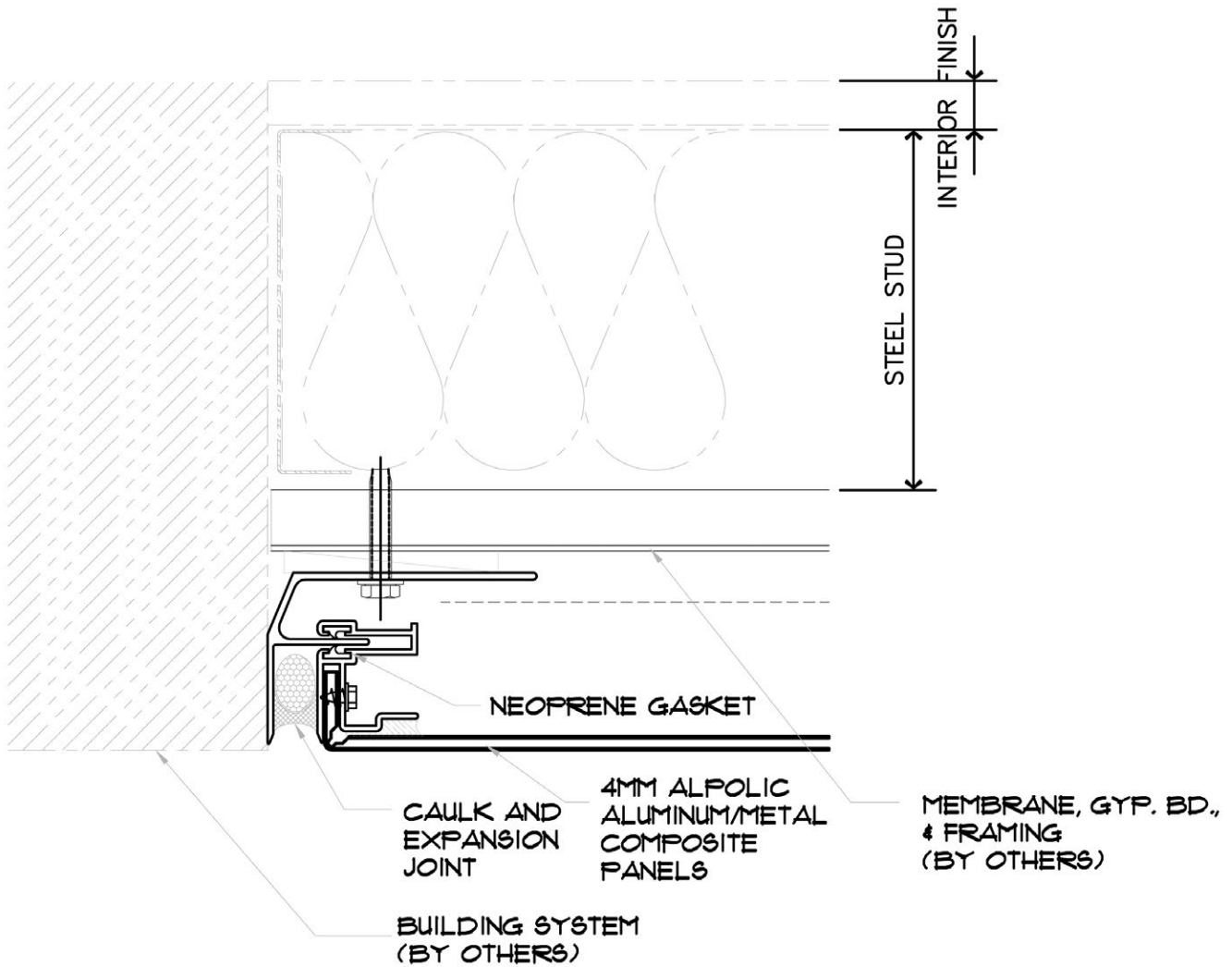
 MITSUBISHI CHEMICAL COMPOSITES AMERICA, INC.

DRY SEAL SYSTEM

10.01.05

www.alpolic-americas.com

The design, fabrication and installation of the ALPOLIC[®] panels are the sole responsibility of the purchaser. The information contained on this website is for conceptual use only. Mitsubishi Chemical Composites America, Inc. shall have no responsibility or liability for the products usage or infringement of any patent or other proprietary right.



9
DS

ABUTMENT DETAIL

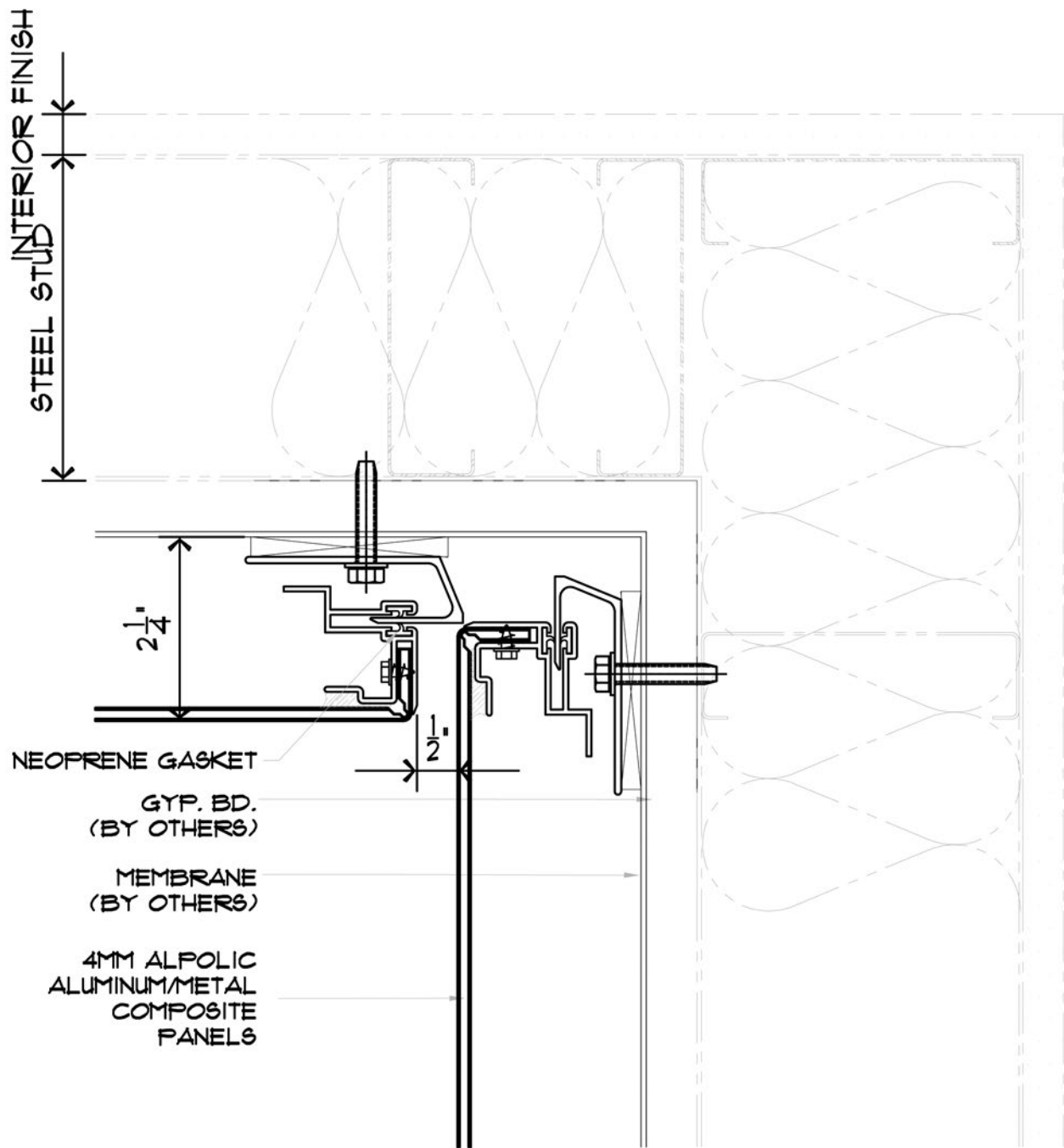
SCALE: FULL

ALPOLIC[®]
METAL COMPOSITE MATERIALS

 MITSUBISHI CHEMICAL COMPOSITES AMERICA, INC.

DRY SEAL SYSTEM
10.01.05
www.alpolic-americas.com

The design, fabrication and installation of the ALPOLIC[®] panels are the sole responsibility of the purchaser. The information contained on this website is for conceptual use only. Mitsubishi Chemical Composites America, Inc. shall have no responsibility or liability for the products usage or infringement of any patent or other proprietary right.



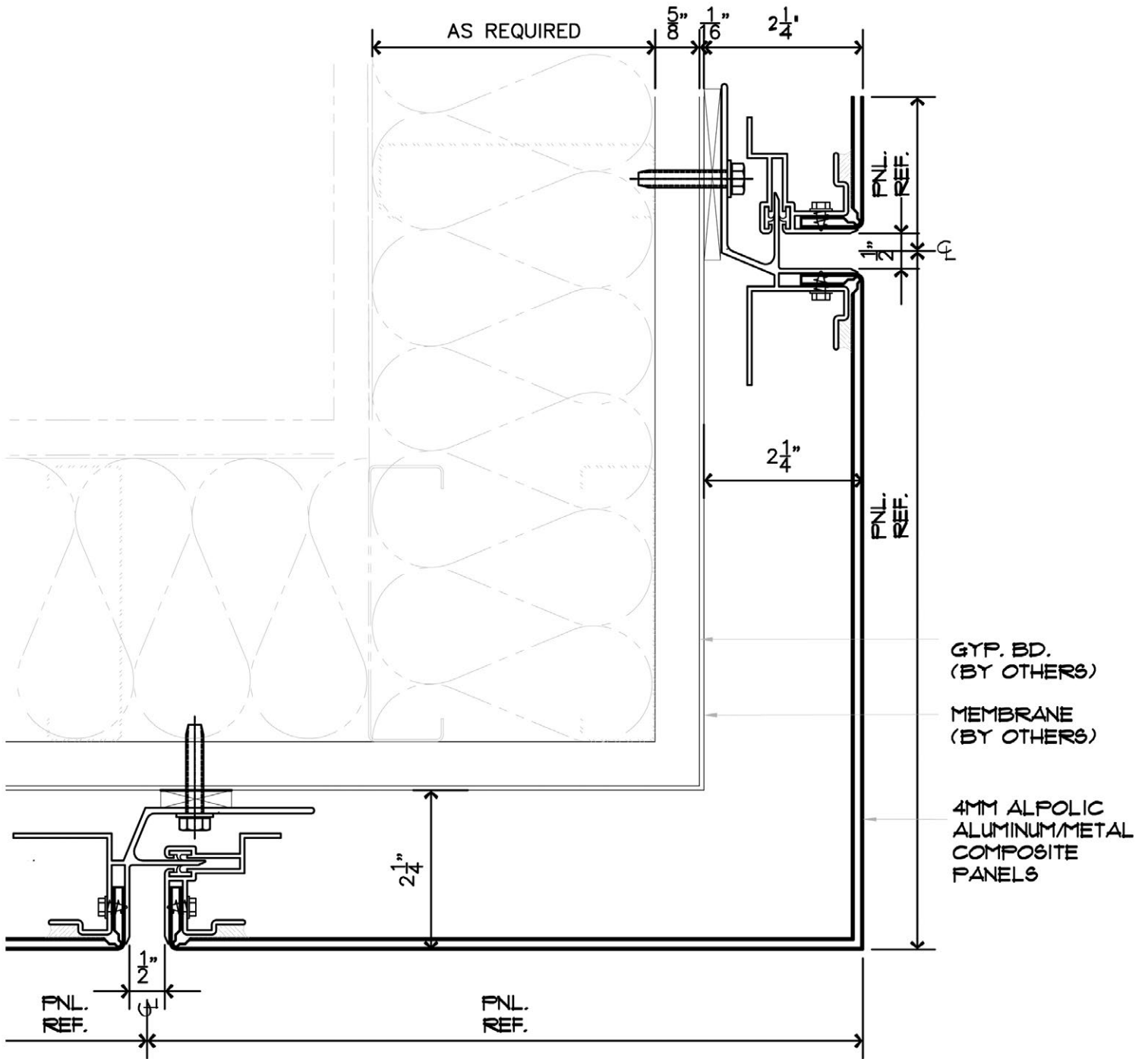
10 INSIDE CORNER
 DS SCALE: 6" = 1'-0"

ALPOLIC[®]
 METAL COMPOSITE MATERIALS

 MITSUBISHI CHEMICAL COMPOSITES AMERICA, INC.


DRY SEAL SYSTEM
10.01.05
www.alpolic-americas.com

The design, fabrication and installation of the ALPOLIC[®] panels are the sole responsibility of the purchaser. The information contained on this website is for conceptual use only. Mitsubishi Chemical Composites America, Inc. shall have no responsibility or liability for the products usage or infringement of any patent or other proprietary right.



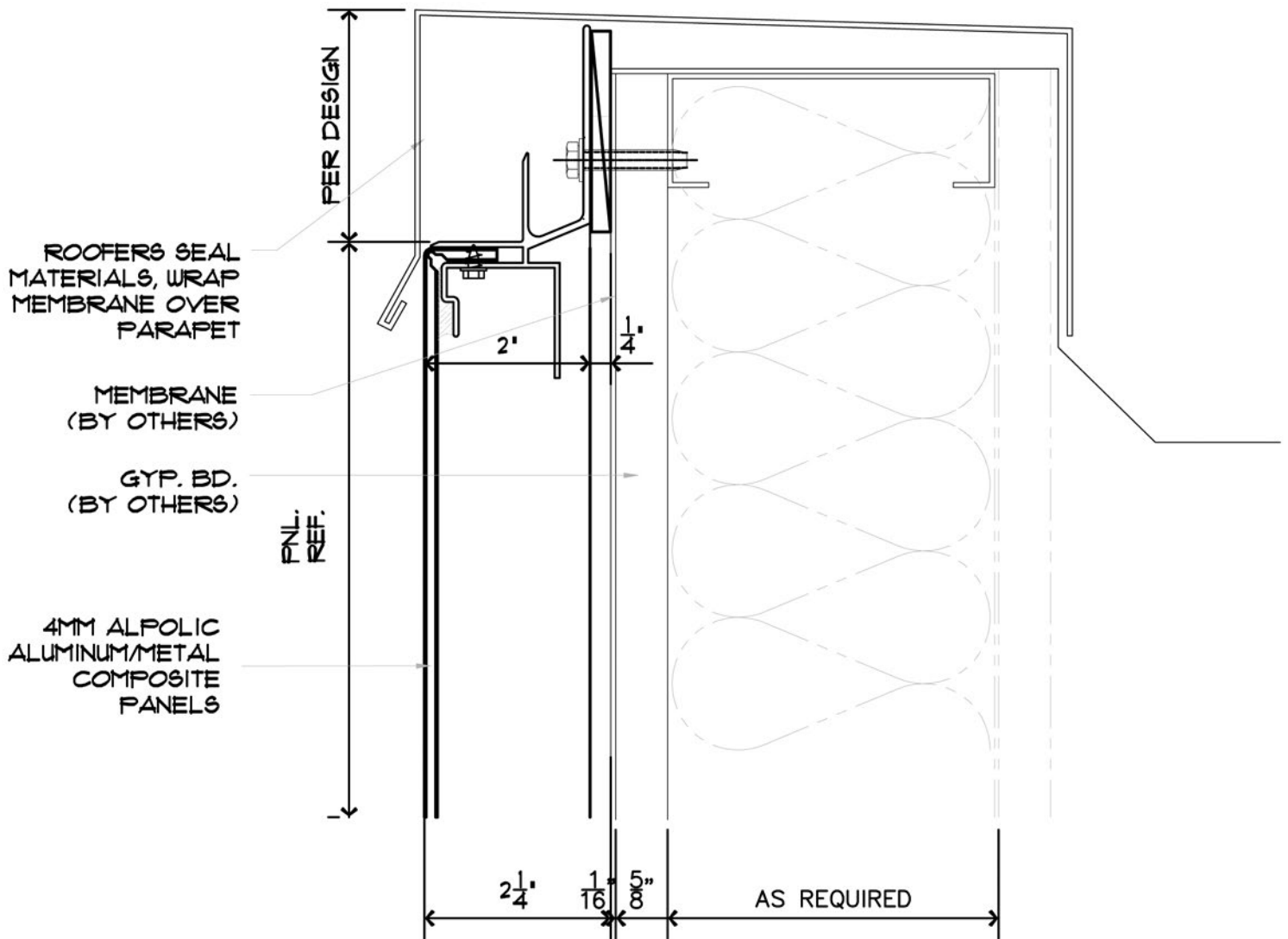
11 OUTSIDE CORNER
 DS SCALE: 6" = 1'-0"

ALPOLIC[®]
 METAL COMPOSITE MATERIALS

 MITSUBISHI CHEMICAL COMPOSITES AMERICA, INC.

DRY SEAL SYSTEM
 10.01.05
www.alpolic-americas.com

The design, fabrication and installation of the ALPOLIC[®] panels are the sole responsibility of the purchaser. The information contained on this website is for conceptual use only. Mitsubishi Chemical Composites America, Inc. shall have no responsibility or liability for the products usage or infringement of any patent or other proprietary right.



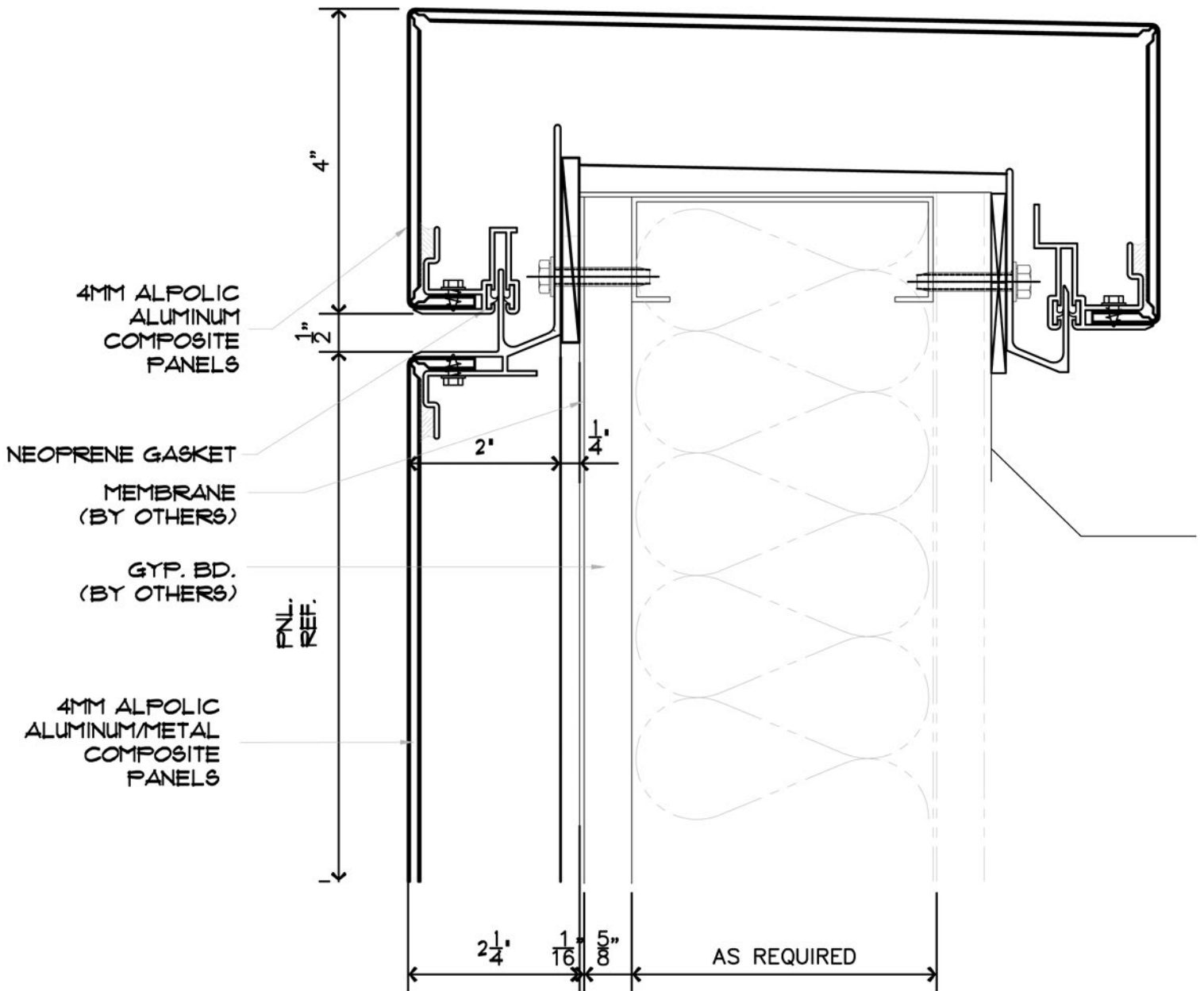
12 PARAPET DETAIL
 DS SCALE: 6" = 1'-0"

ALPOLIC[®]
 METAL COMPOSITE MATERIALS

 MITSUBISHI CHEMICAL COMPOSITES AMERICA, INC.

DRY SEAL SYSTEM
10.01.05
www.alpolic-americas.com

The design, fabrication and installation of the ALPOLIC[®] panels are the sole responsibility of the purchaser. The information contained on this website is for conceptual use only. Mitsubishi Chemical Composites America, Inc. shall have no responsibility or liability for the products usage or infringement of any patent or other proprietary right.



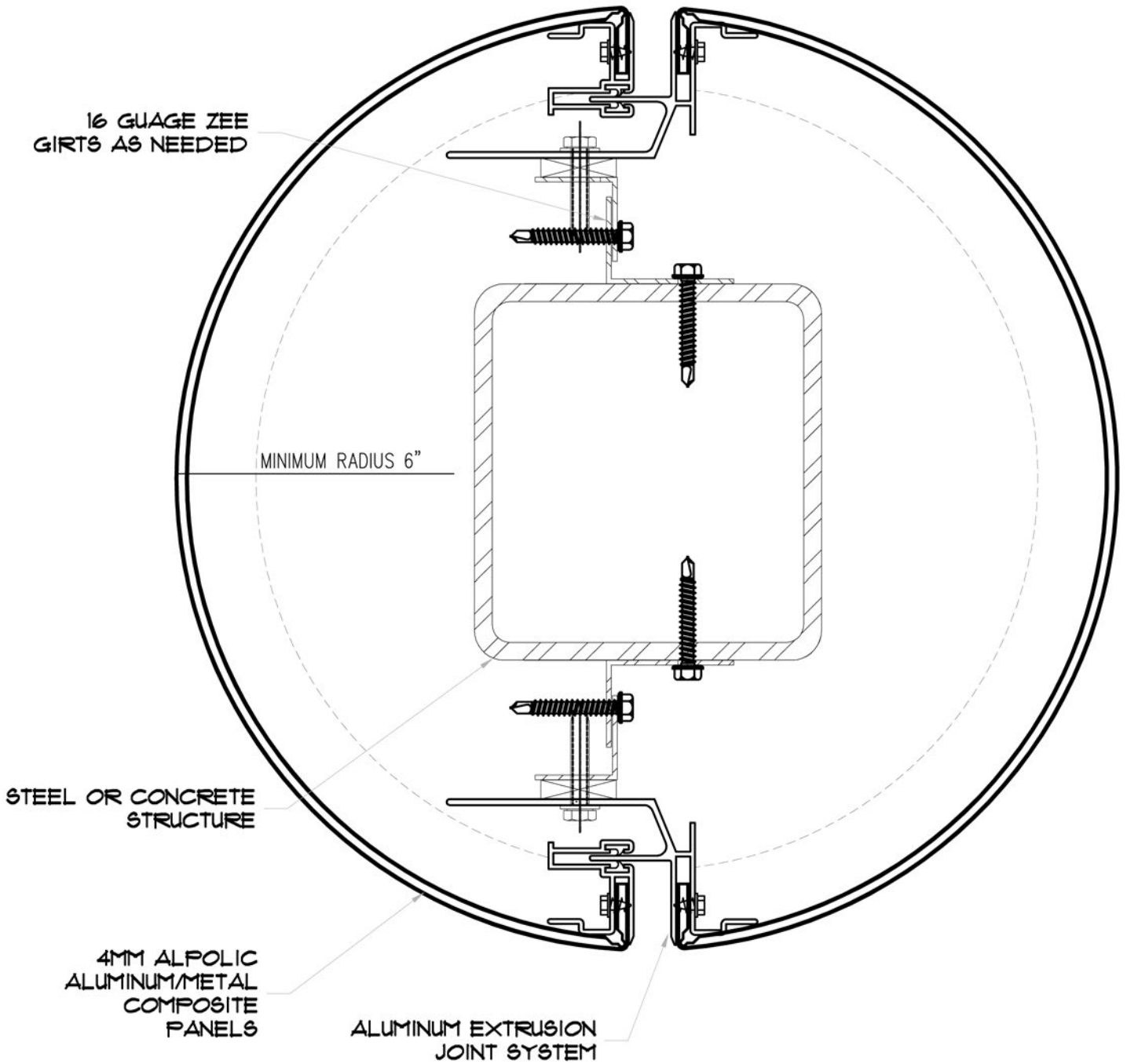
12A PARAPET DETAIL OPTION 2
 DS SCALE: 6" = 1'-0"

ALPOLIC[®]
 METAL COMPOSITE MATERIALS

 MITSUBISHI CHEMICAL COMPOSITES AMERICA, INC.

DRY SEAL SYSTEM
 10.01.05
www.alpolic-americas.com

The design, fabrication and installation of the ALPOLIC[®] panels are the sole responsibility of the purchaser. The information contained on this website is for conceptual use only. Mitsubishi Chemical Composites America, Inc. shall have no responsibility or liability for the products usage or infringement of any patent or other proprietary right.



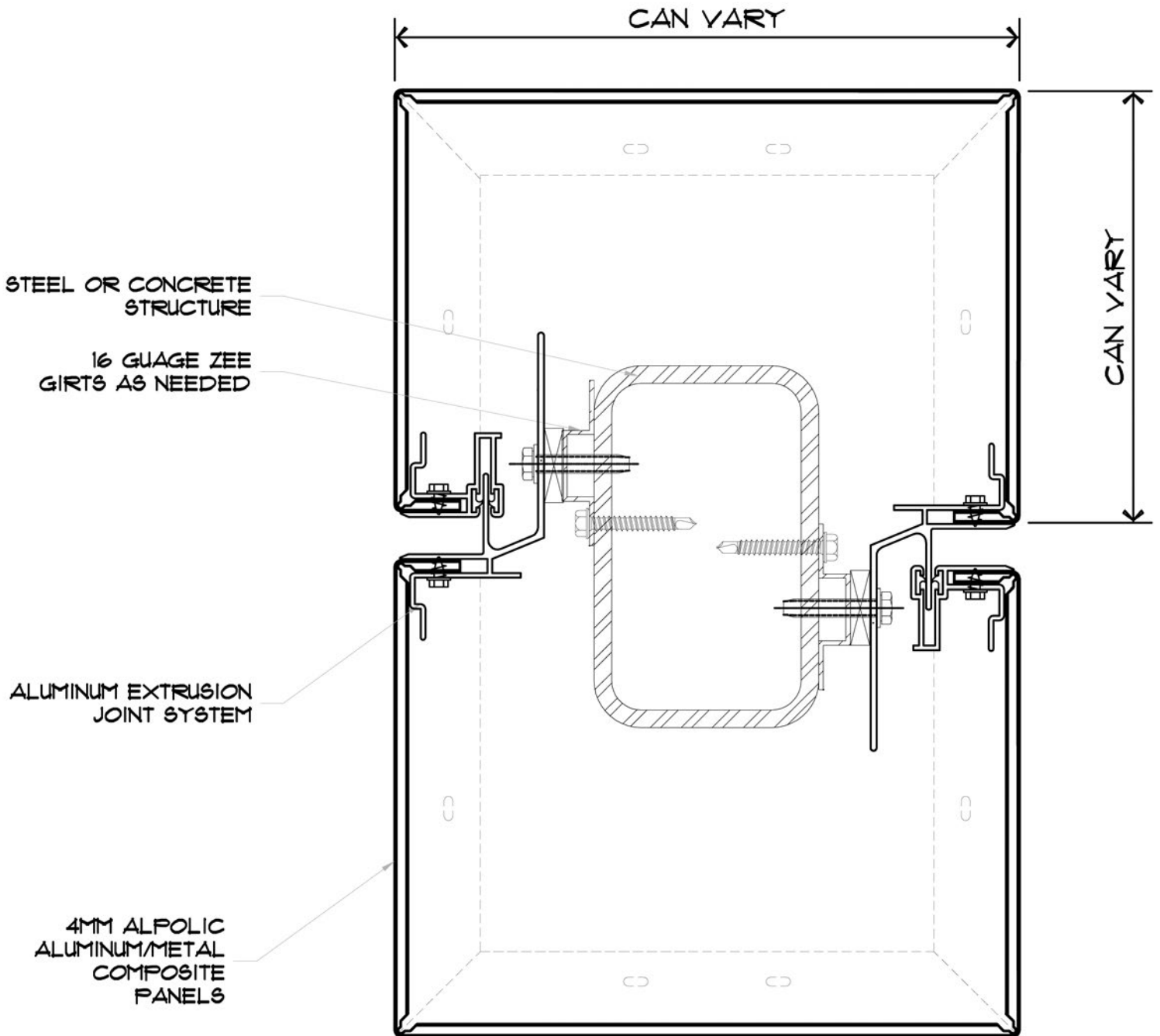
13 CIRCULAR COLUMN
 DS SCALE: 6" = 1'-0"

ALPOLIC[®]
 METAL COMPOSITE MATERIALS

 MITSUBISHI CHEMICAL COMPOSITES AMERICA, INC.

DRY SEAL SYSTEM
 10.01.05
www.alpolic-americas.com

The design, fabrication and installation of the ALPOLIC[®] panels are the sole responsibility of the purchaser. The information contained on this website is for conceptual use only. Mitsubishi Chemical Composites America, Inc. shall have no responsibility or liability for the products usage or infringement of any patent or other proprietary right.



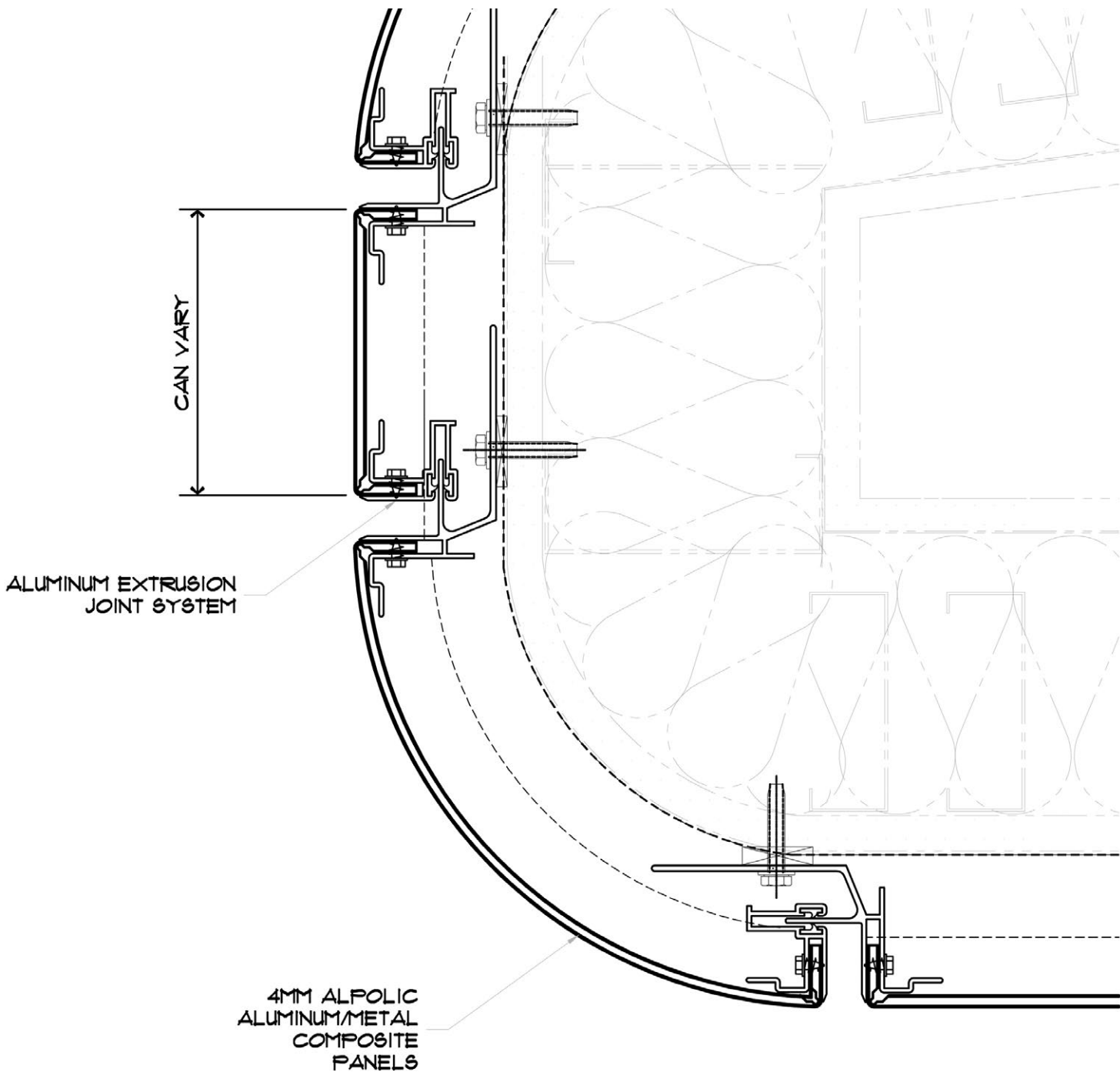
14 DS SQUARE COLUMN
 SCALE: 6" = 1'-0"

ALPOLIC[®]
 METAL COMPOSITE MATERIALS

 MITSUBISHI CHEMICAL COMPOSITES AMERICA, INC.

DRY SEAL SYSTEM
 10.01.05
www.alpolic-americas.com

The design, fabrication and installation of the ALPOLIC[®] panels are the sole responsibility of the purchaser. The information contained on this website is for conceptual use only. Mitsubishi Chemical Composites America, Inc. shall have no responsibility or liability for the products usage or infringement of any patent or other proprietary right.



15
DS

CANOPY/SUNSHADE

SCALE: 6" = 1'-0"

ALPOLIC[®]
METAL COMPOSITE MATERIALS

 MITSUBISHI CHEMICAL COMPOSITES AMERICA, INC.

DRY SEAL SYSTEM
10.01.05
www.alpolic-americas.com

The design, fabrication and installation of the ALPOLIC[®] panels are the sole responsibility of the purchaser. The information contained on this website is for conceptual use only. Mitsubishi Chemical Composites America, Inc. shall have no responsibility or liability for the products usage or infringement of any patent or other proprietary right.